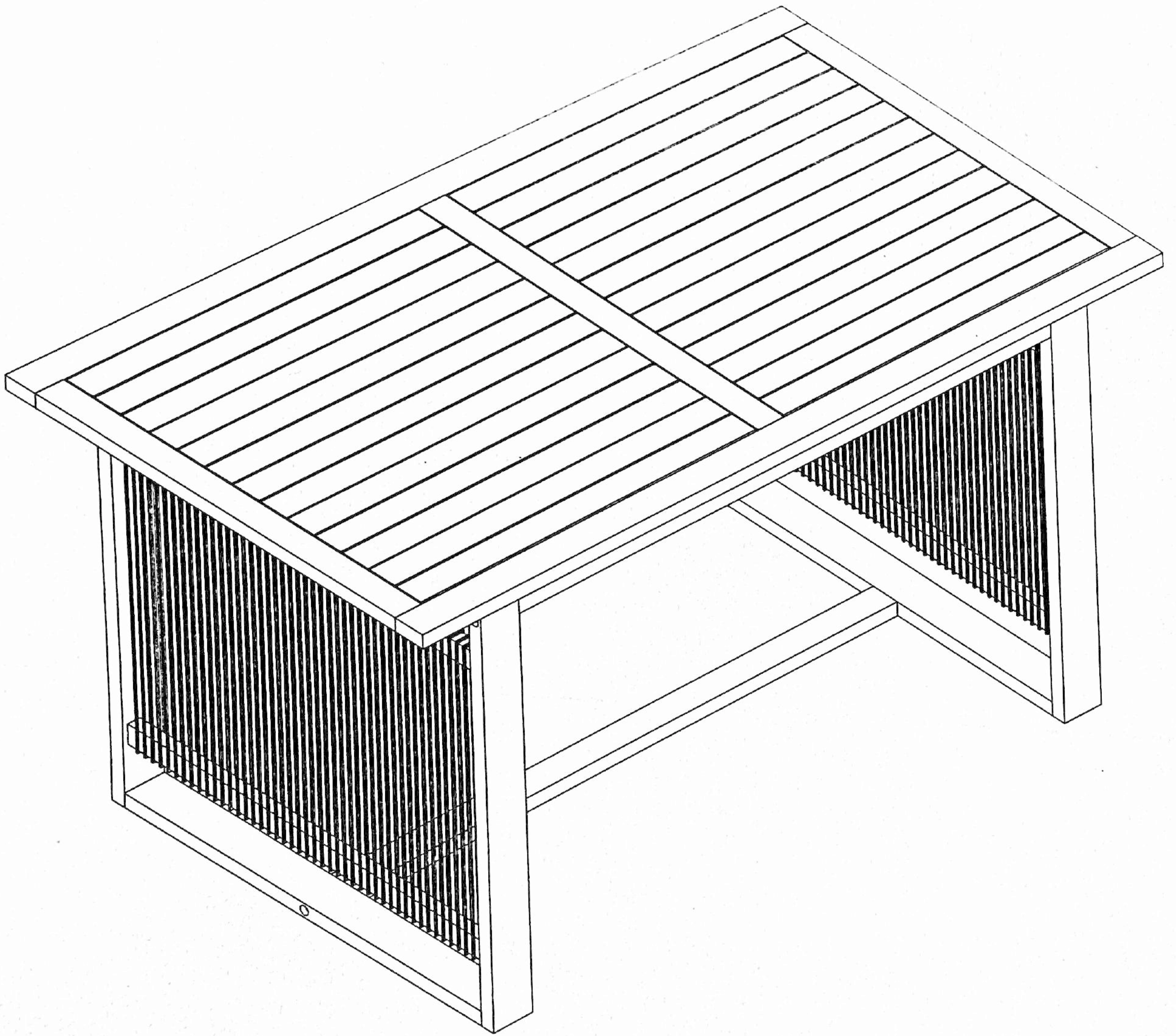
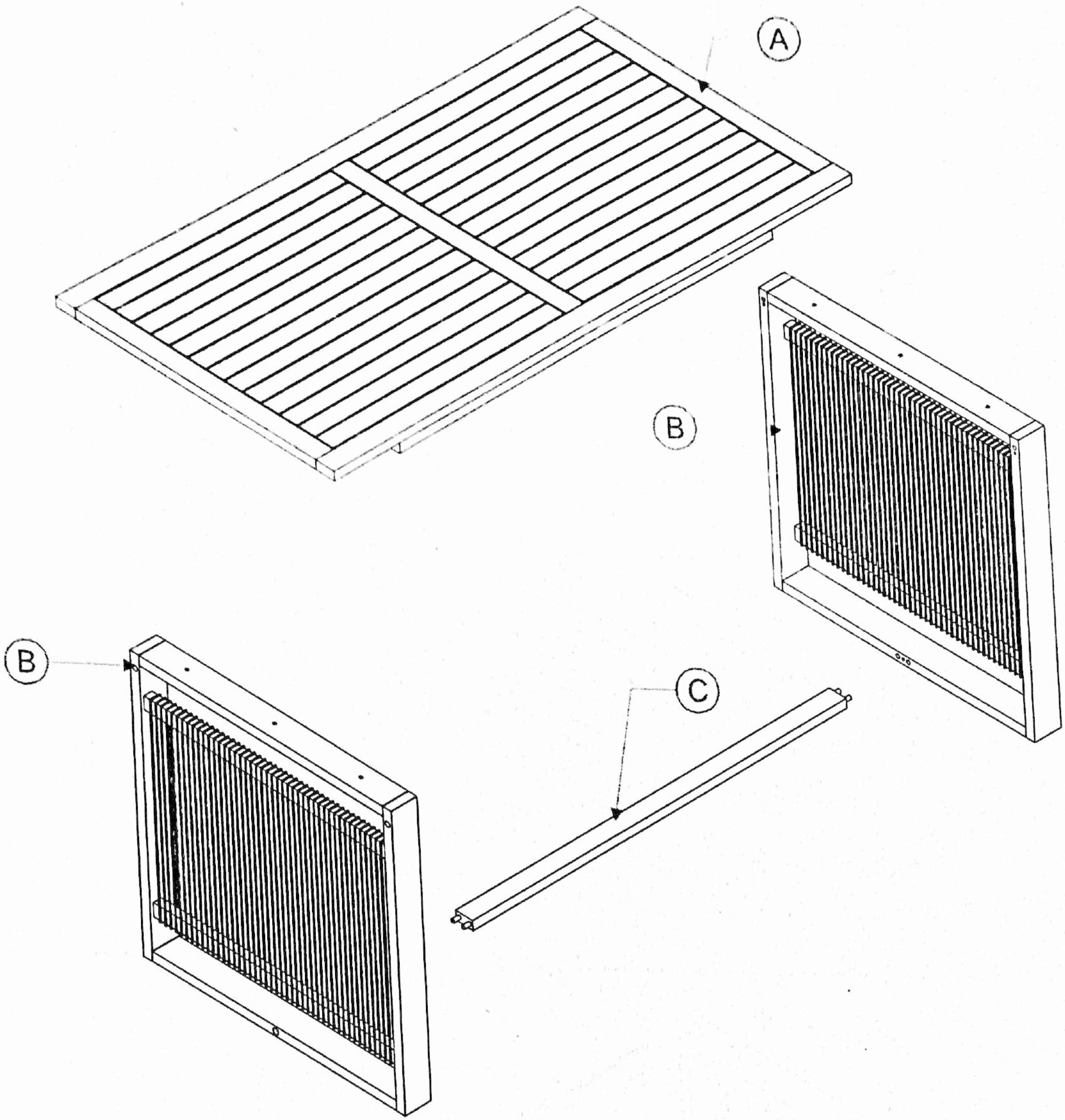


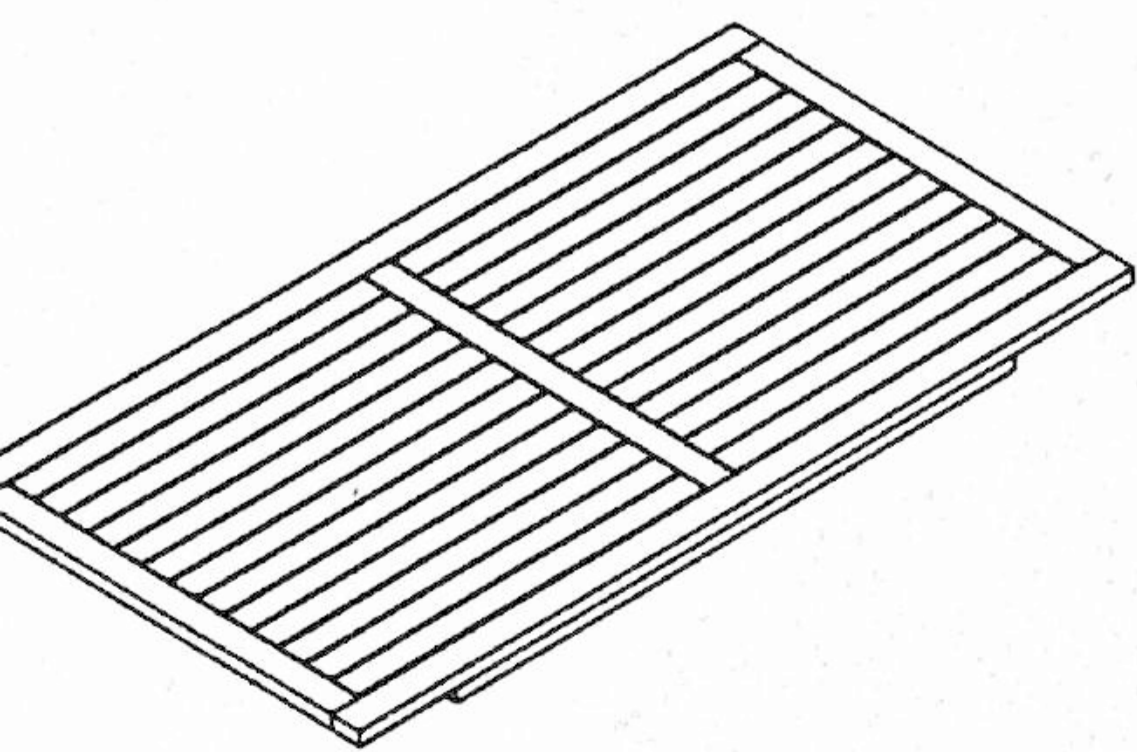


X2

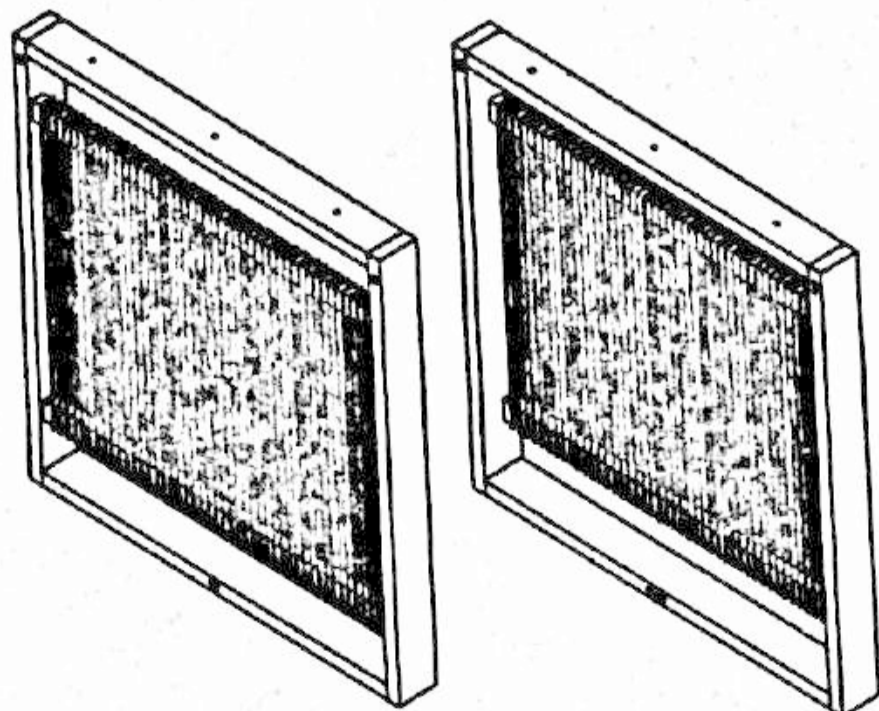




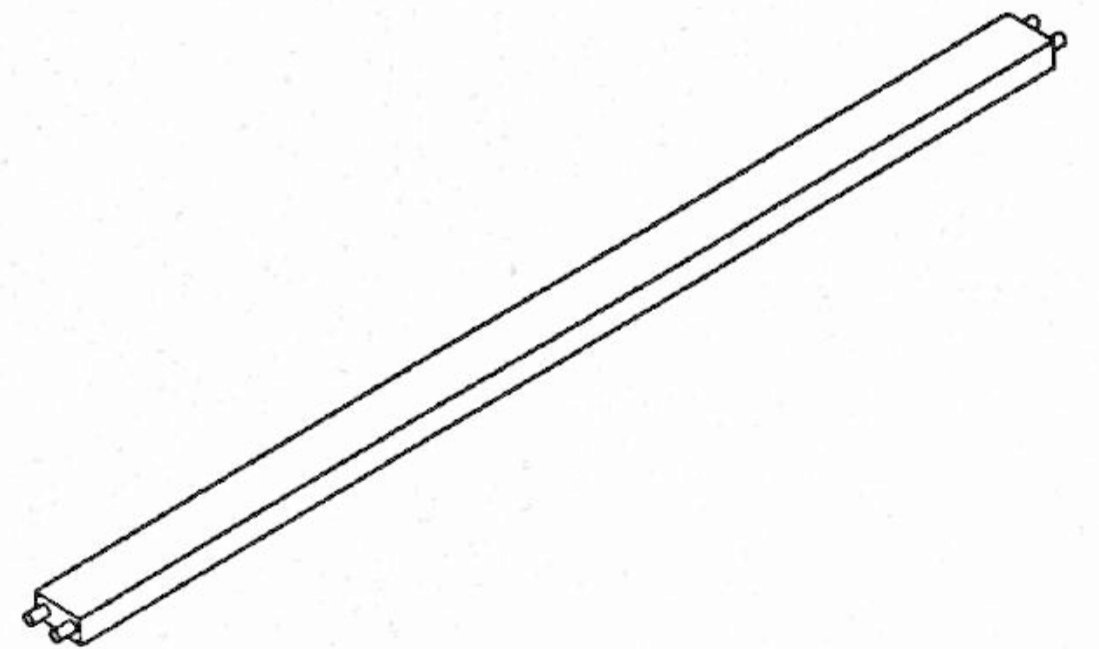
Ⓐ x 1



Ⓑ x 2



Ⓒ x 1

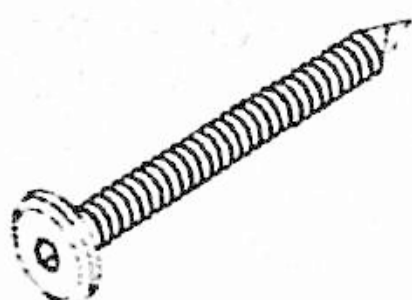


① x 6



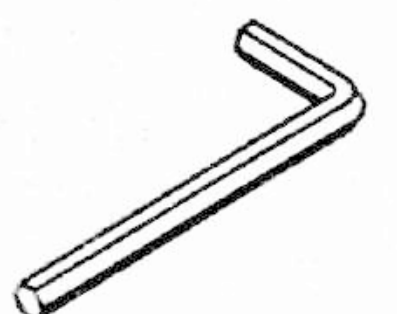
M7x40

② x 6

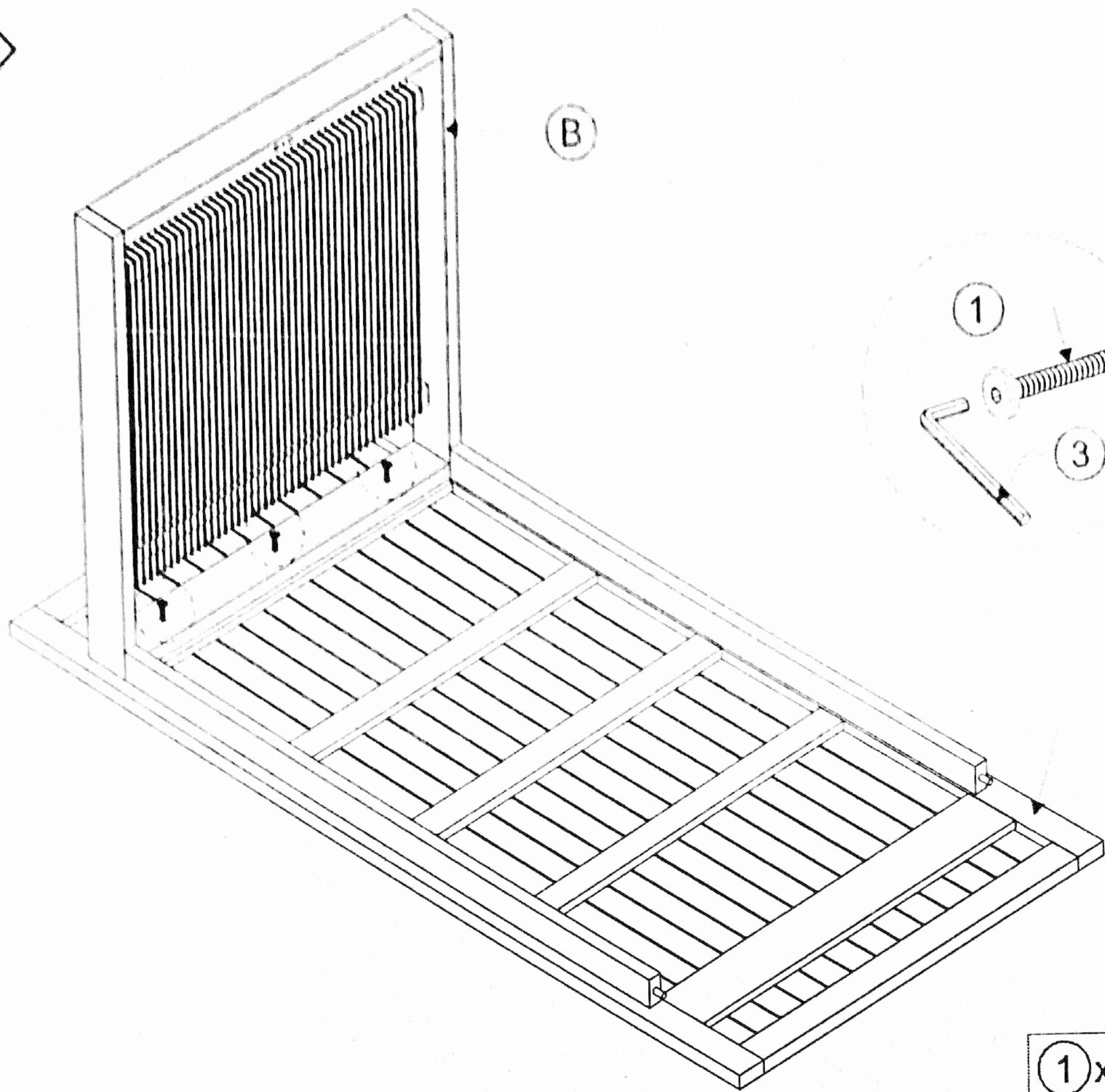


M6x70


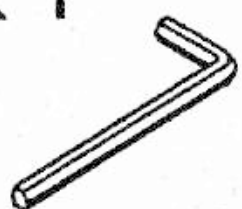
③ x 2



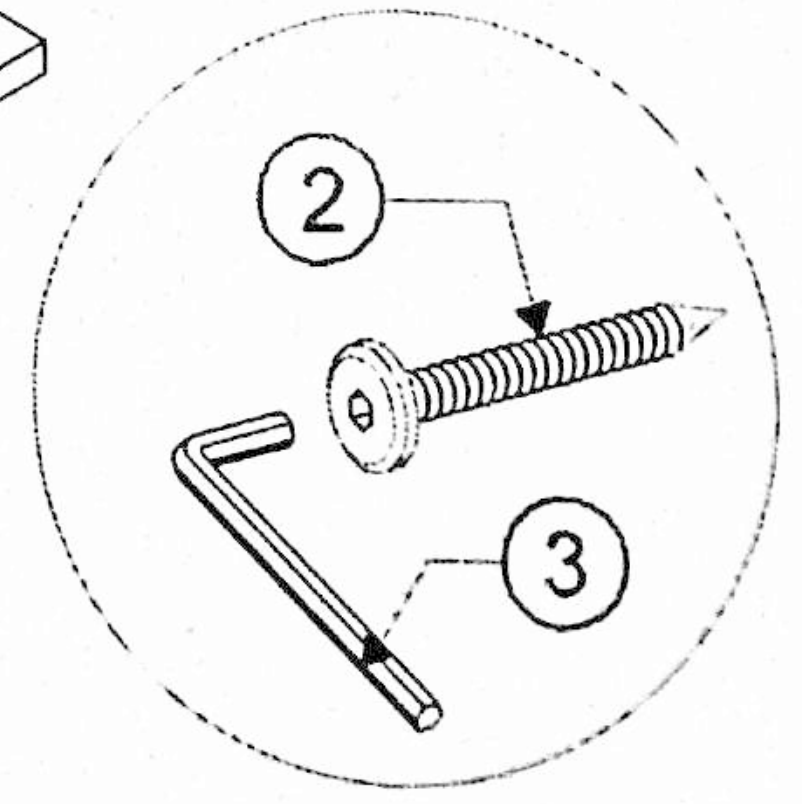
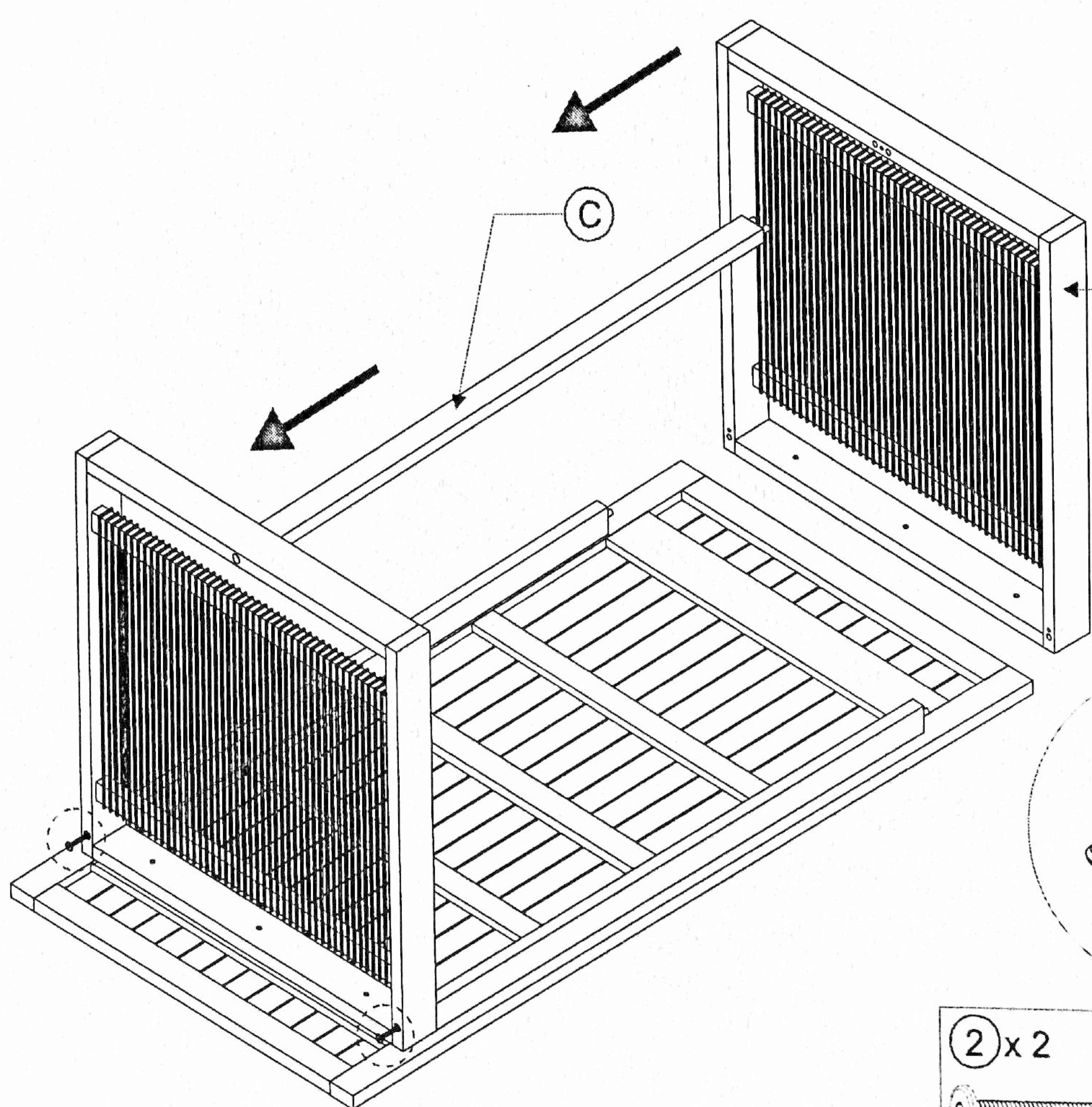
1





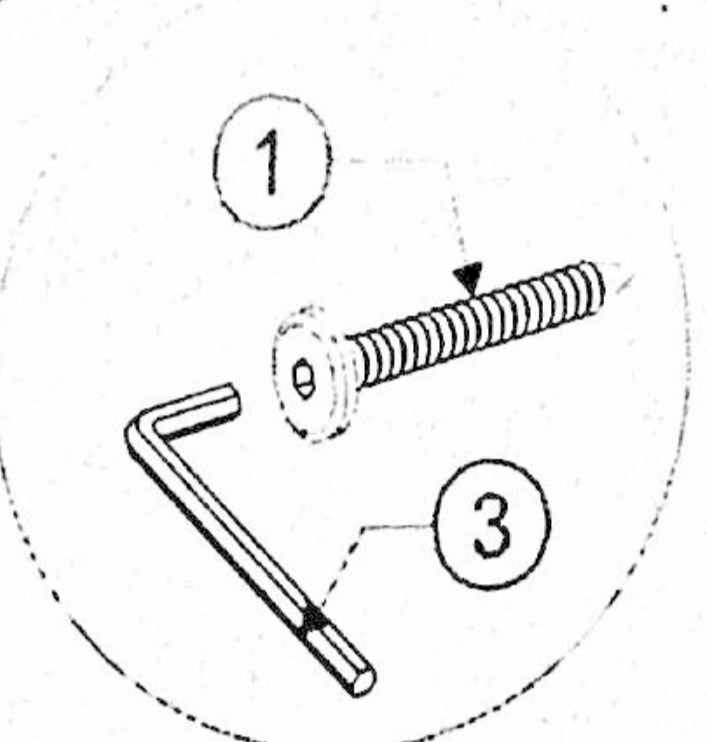
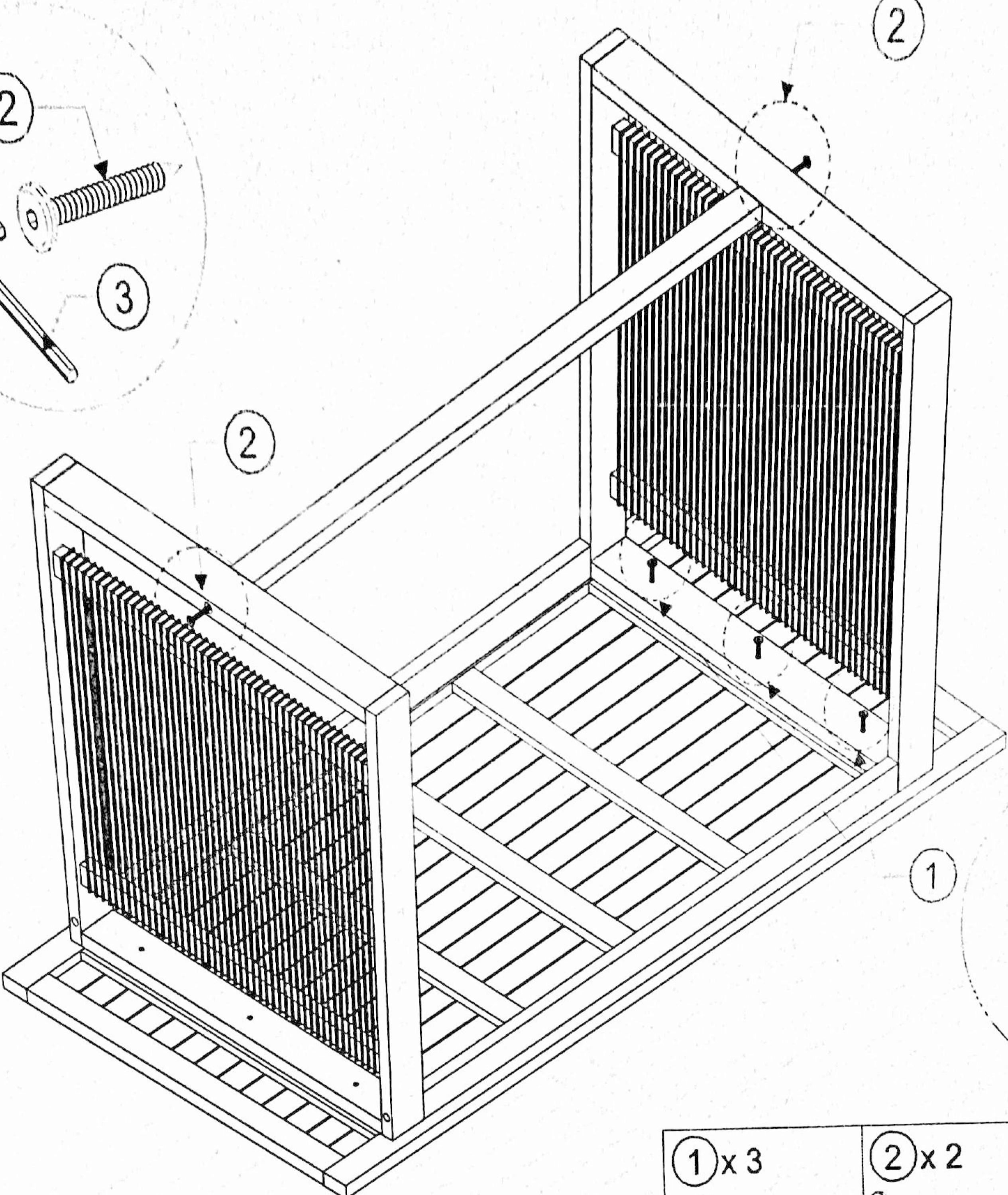
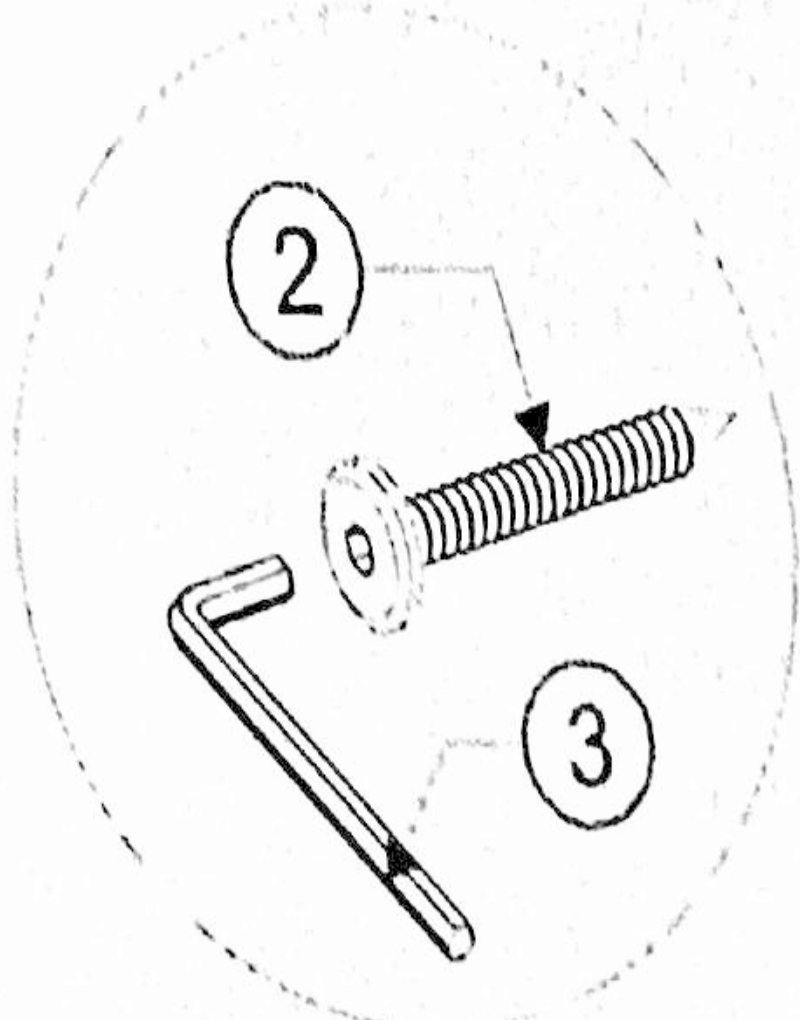
A




- | | |
|---|--|
| <p>① x 3</p>  <p>M7x40</p> | <p>③ x 1</p>  |
|---|--|

2

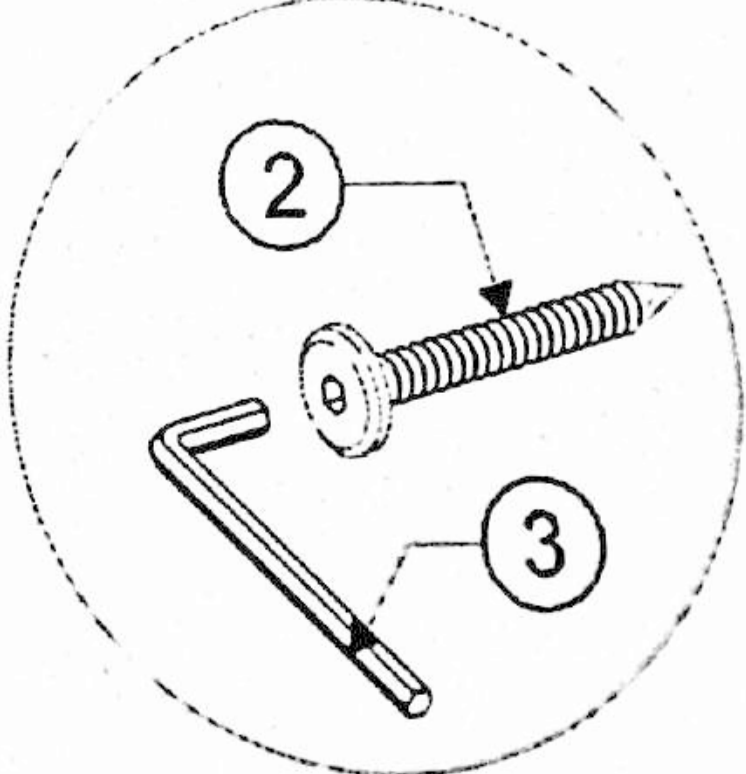
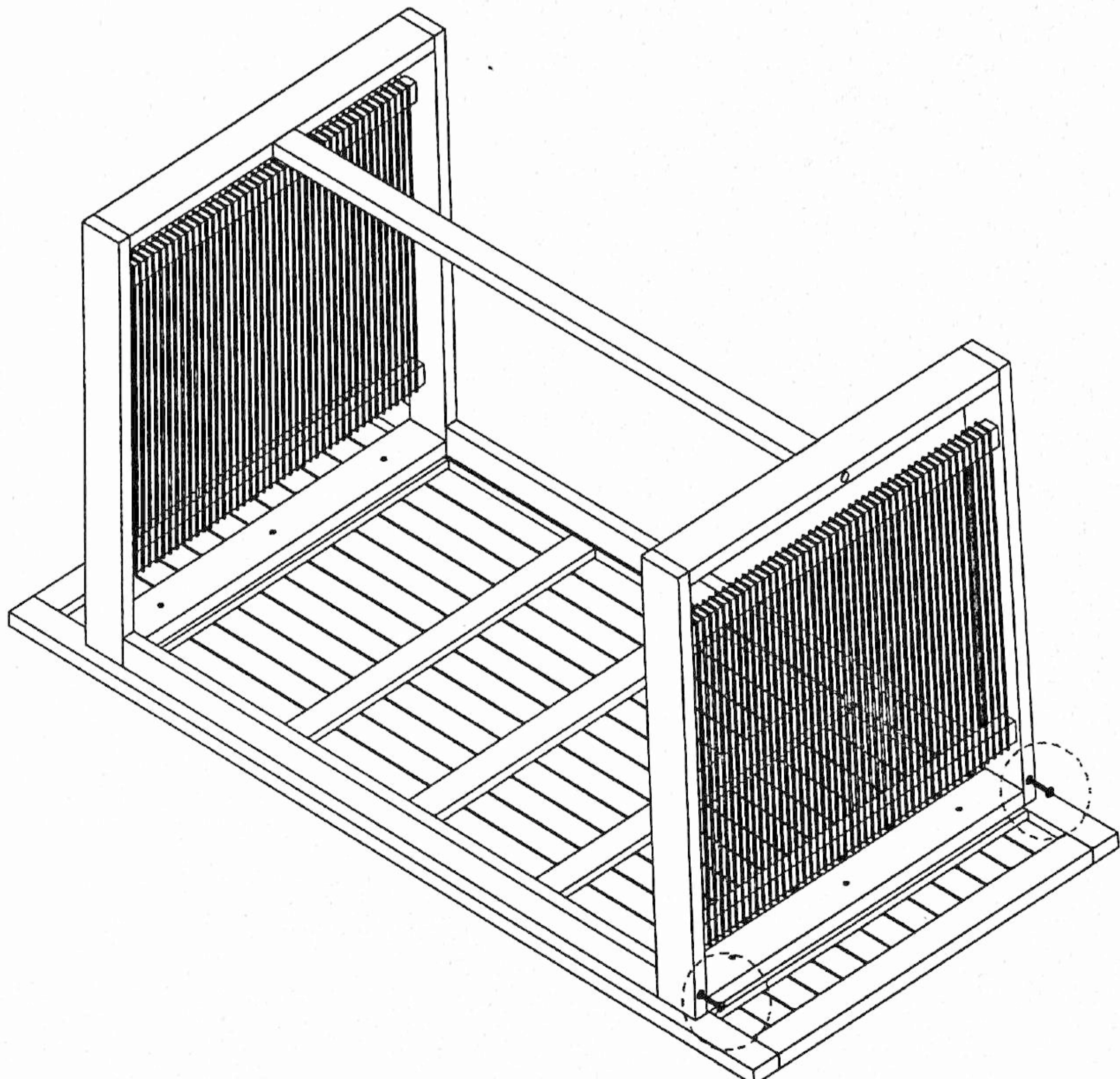




- | | |
|---|--|
| <p>② x 2</p>  <p>M6x70</p> | <p>③ x 1</p>  |
|---|--|



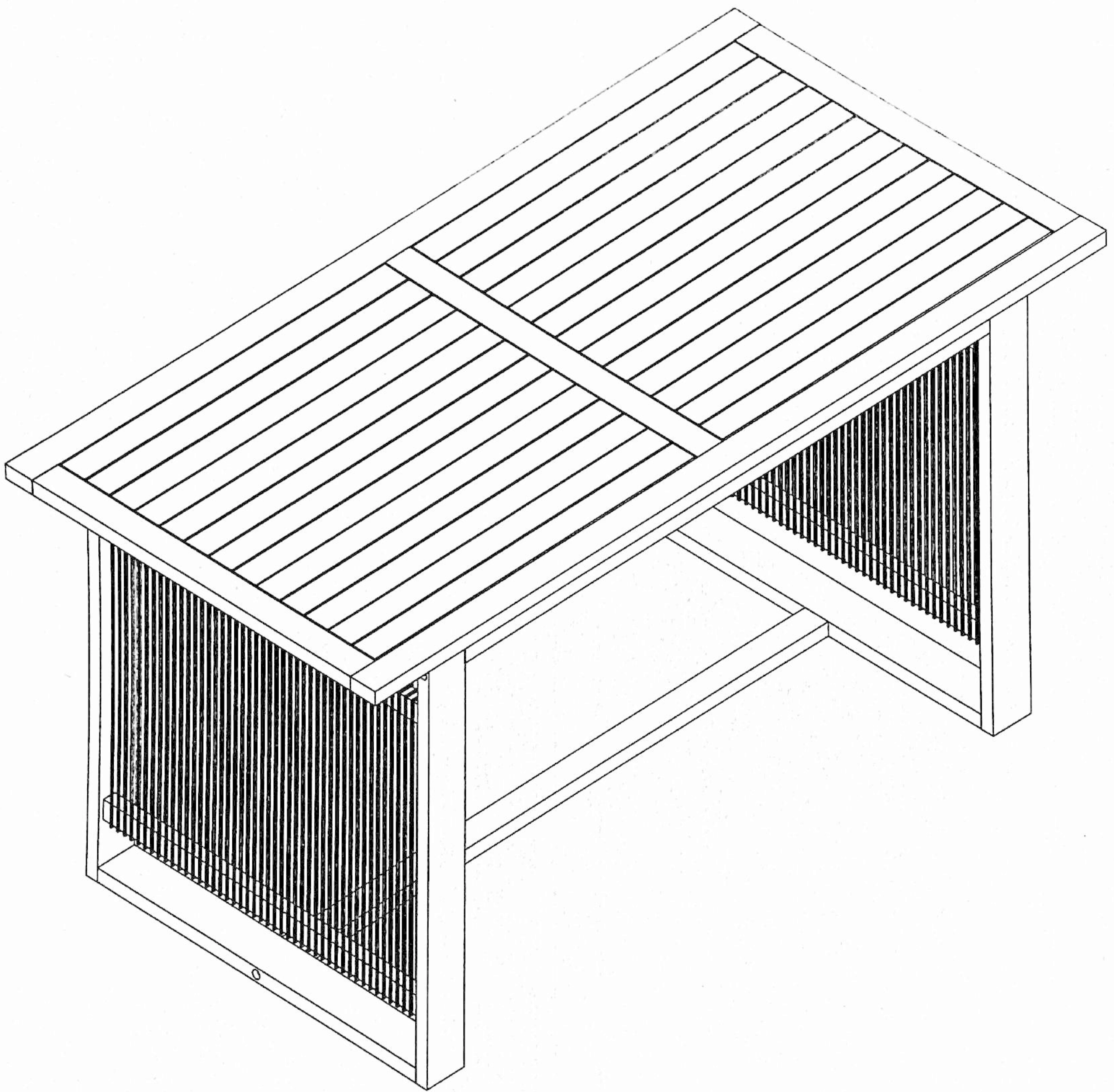
<p>① x 3</p>  <p>M7x40</p>	<p>② x 2</p>  <p>M6x70</p>	<p>③ x 1</p> 
---	---	--

4



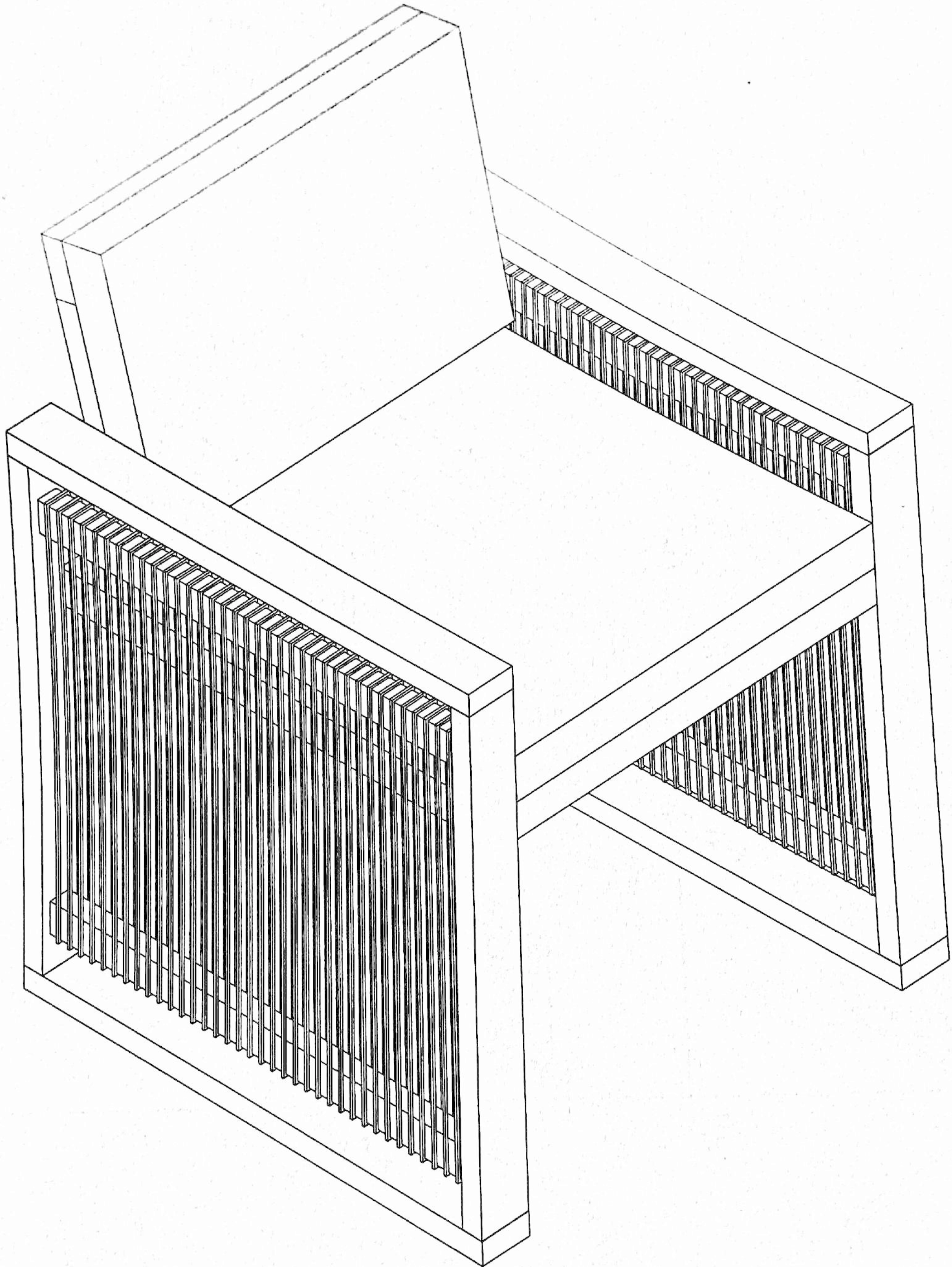
<p>② x 2</p>  <p>M6x70</p>	<p>③ x 1</p> 
---	--

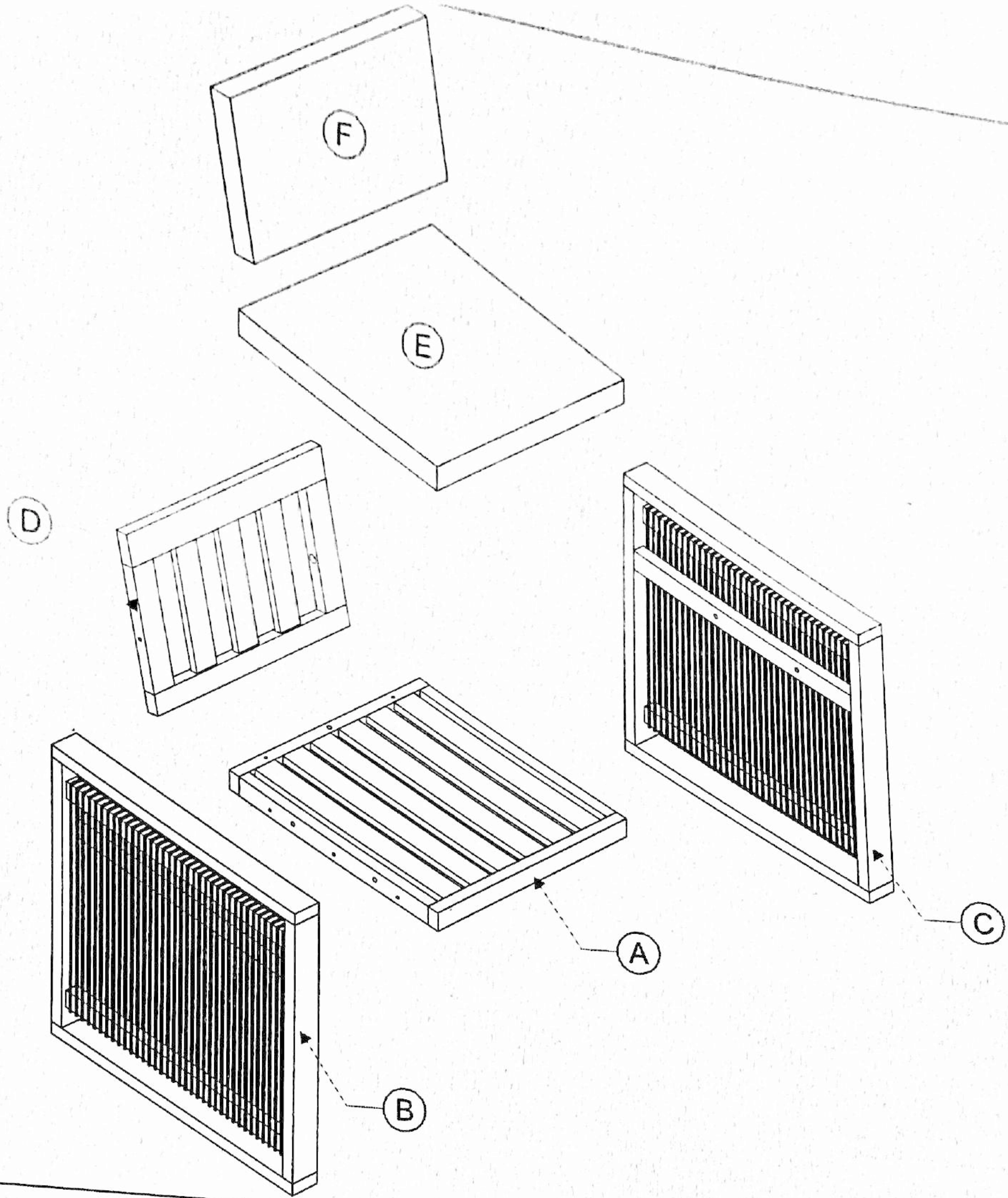
5



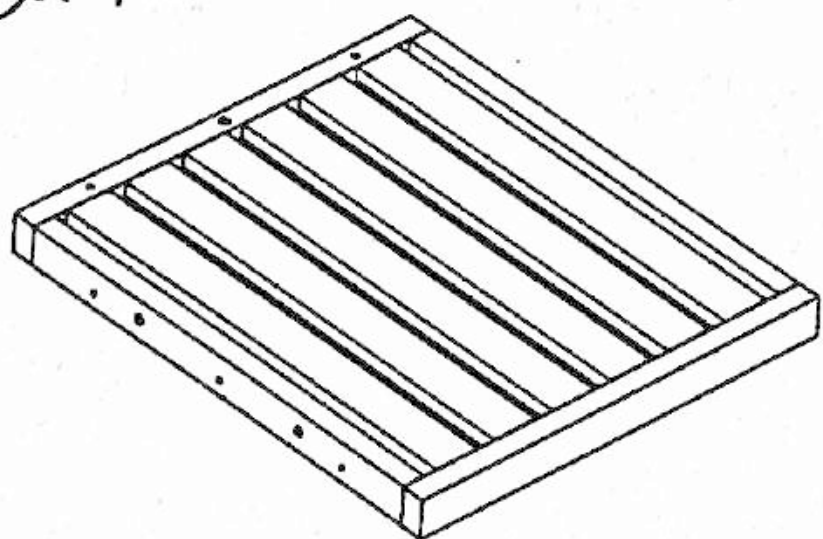


X2

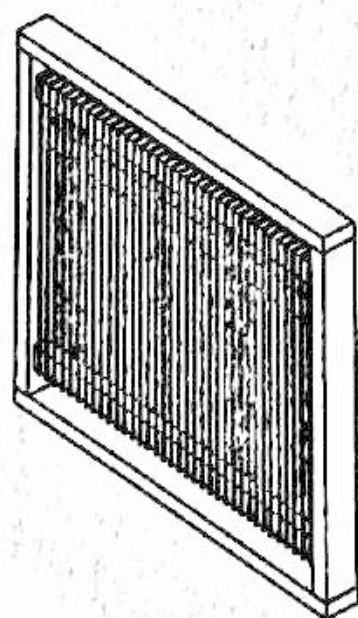




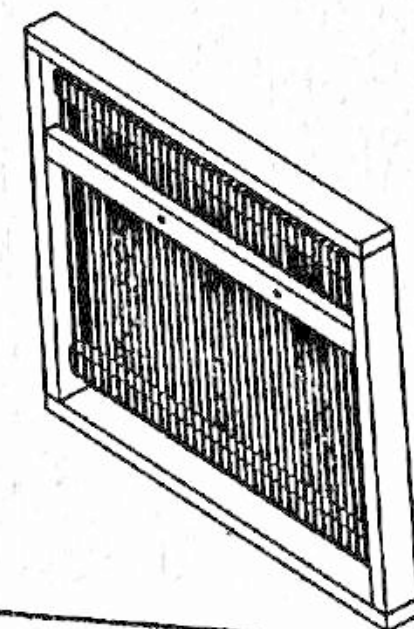
(A) x 1



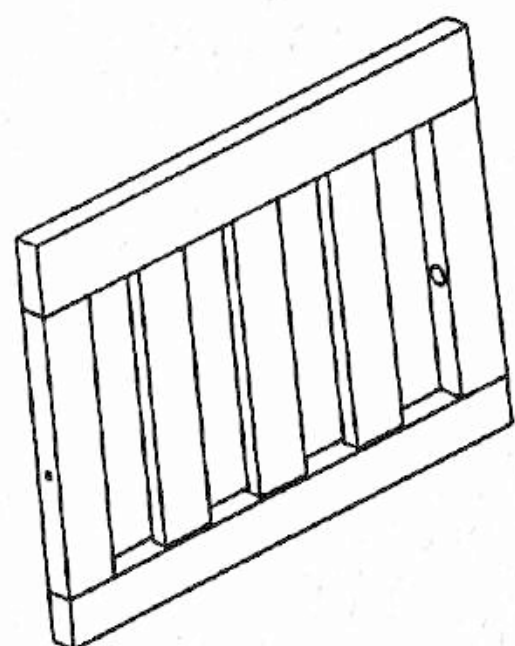
(B) x 1



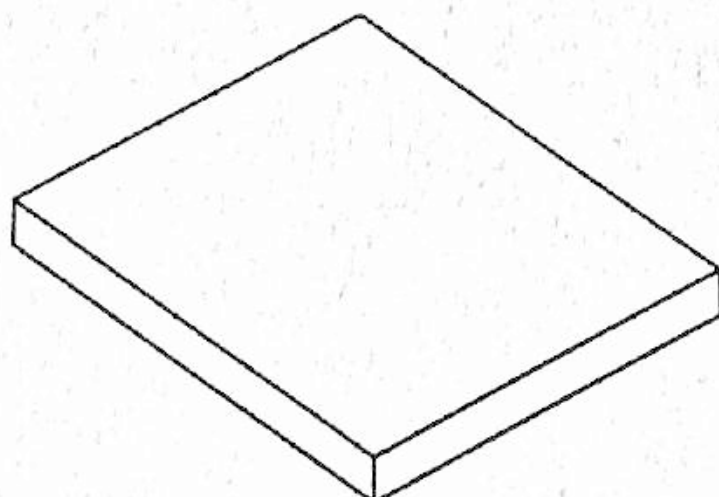
(C) x 1



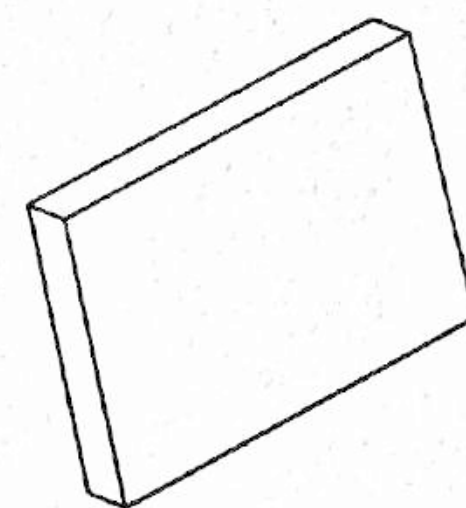
(D) x 1



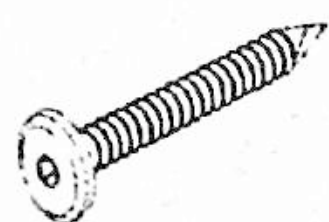
(E) x 1



(F) x 1

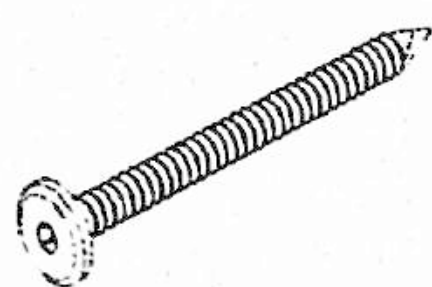


(1) x 6



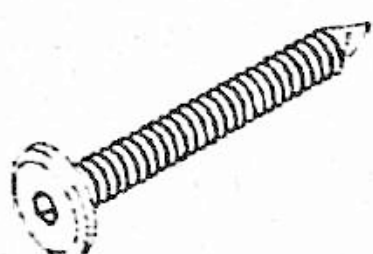
M7x40

(2) x 2



M6x70

(3) x 2



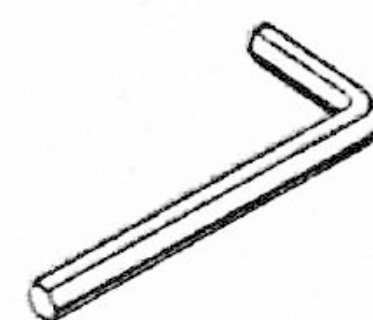
M7x60

(4) x 5

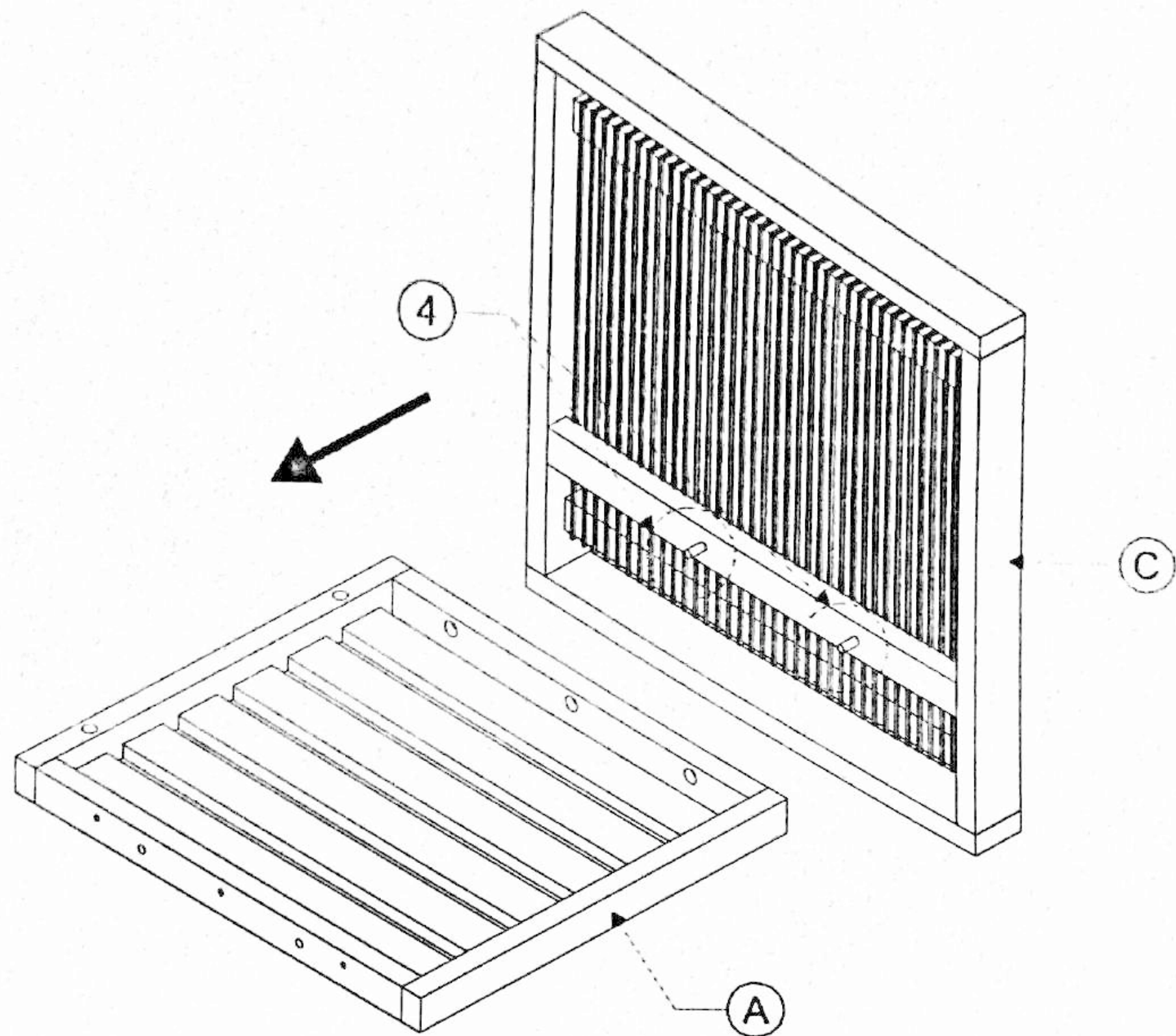


Ø8x40

(5) x 2

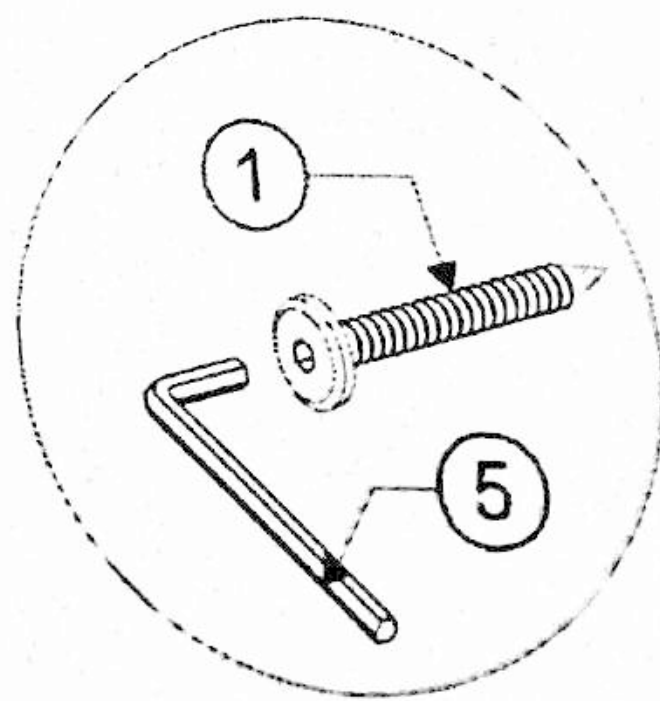
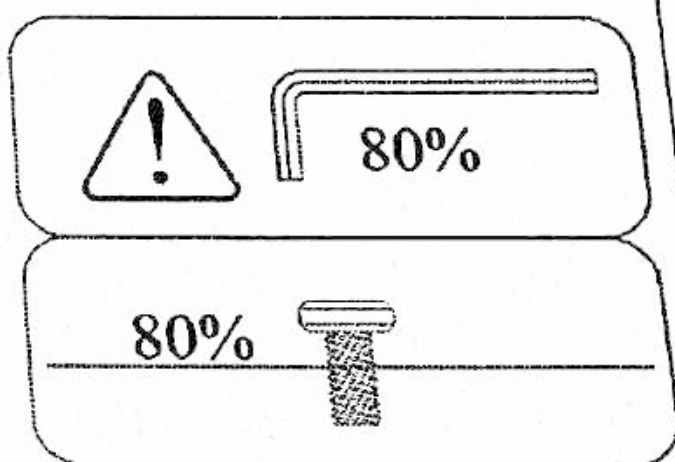
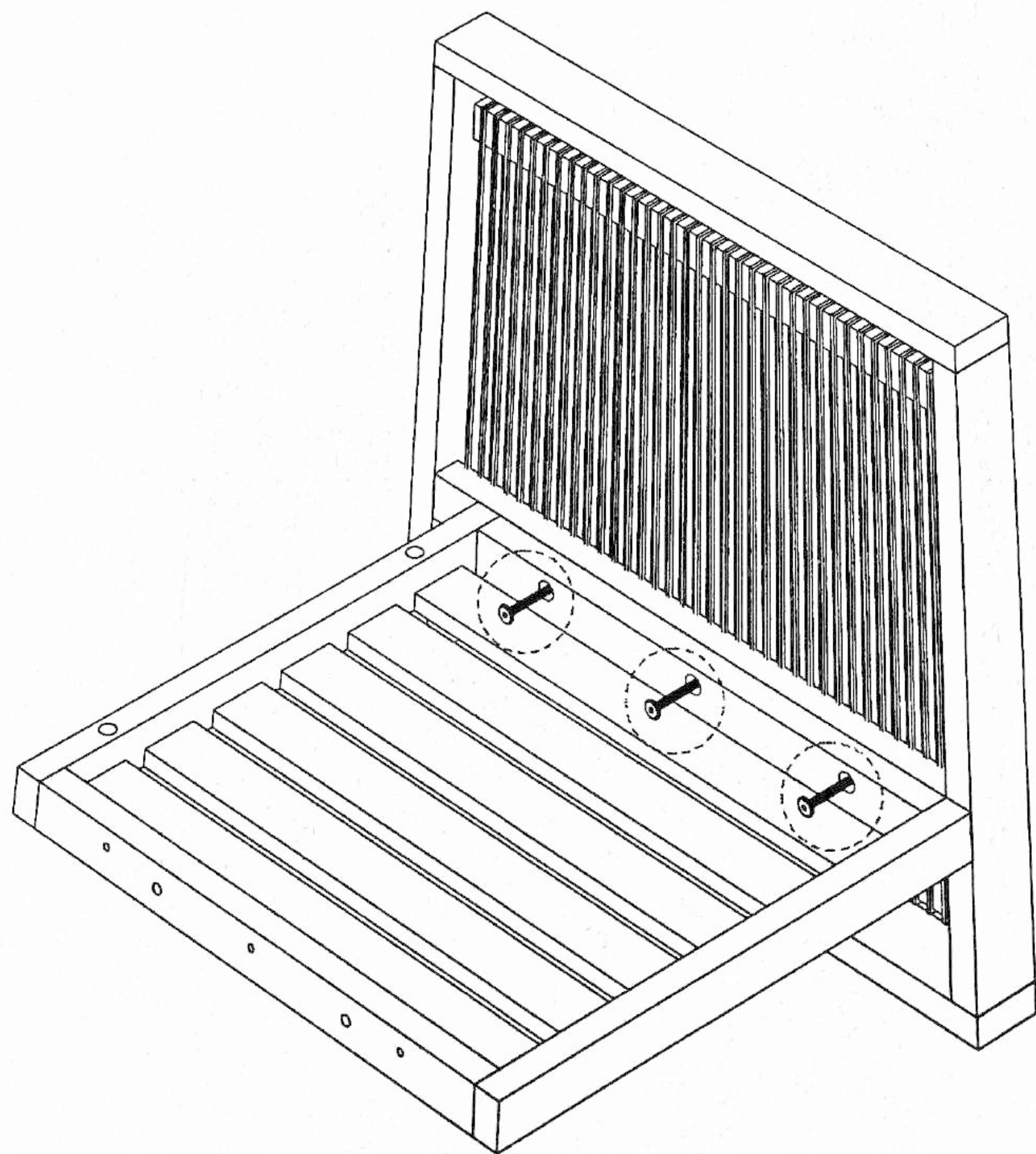


1



④ x 2
Ø8X40

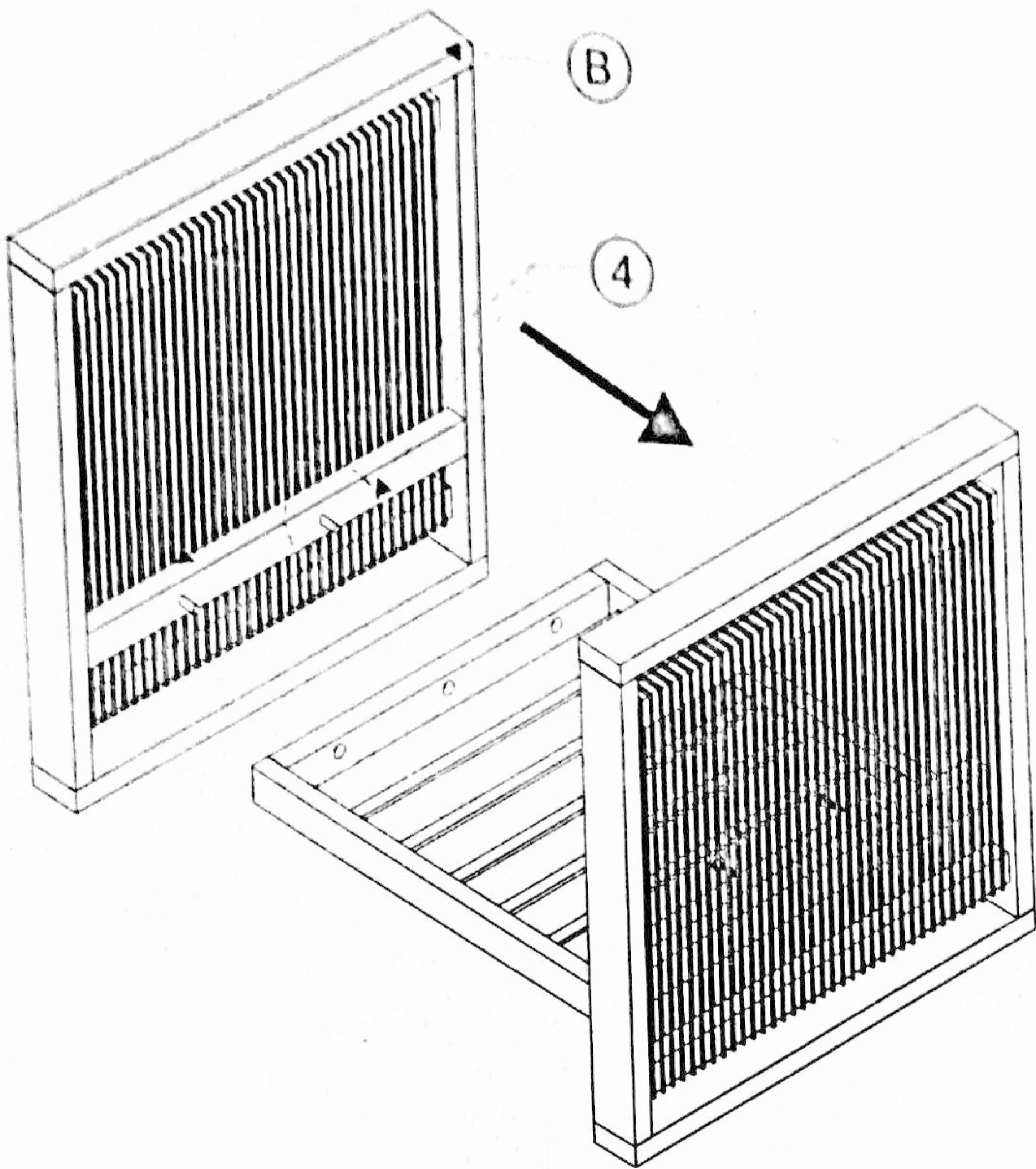
2

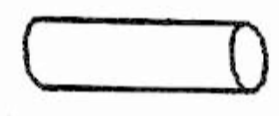


① x 3
M7x40

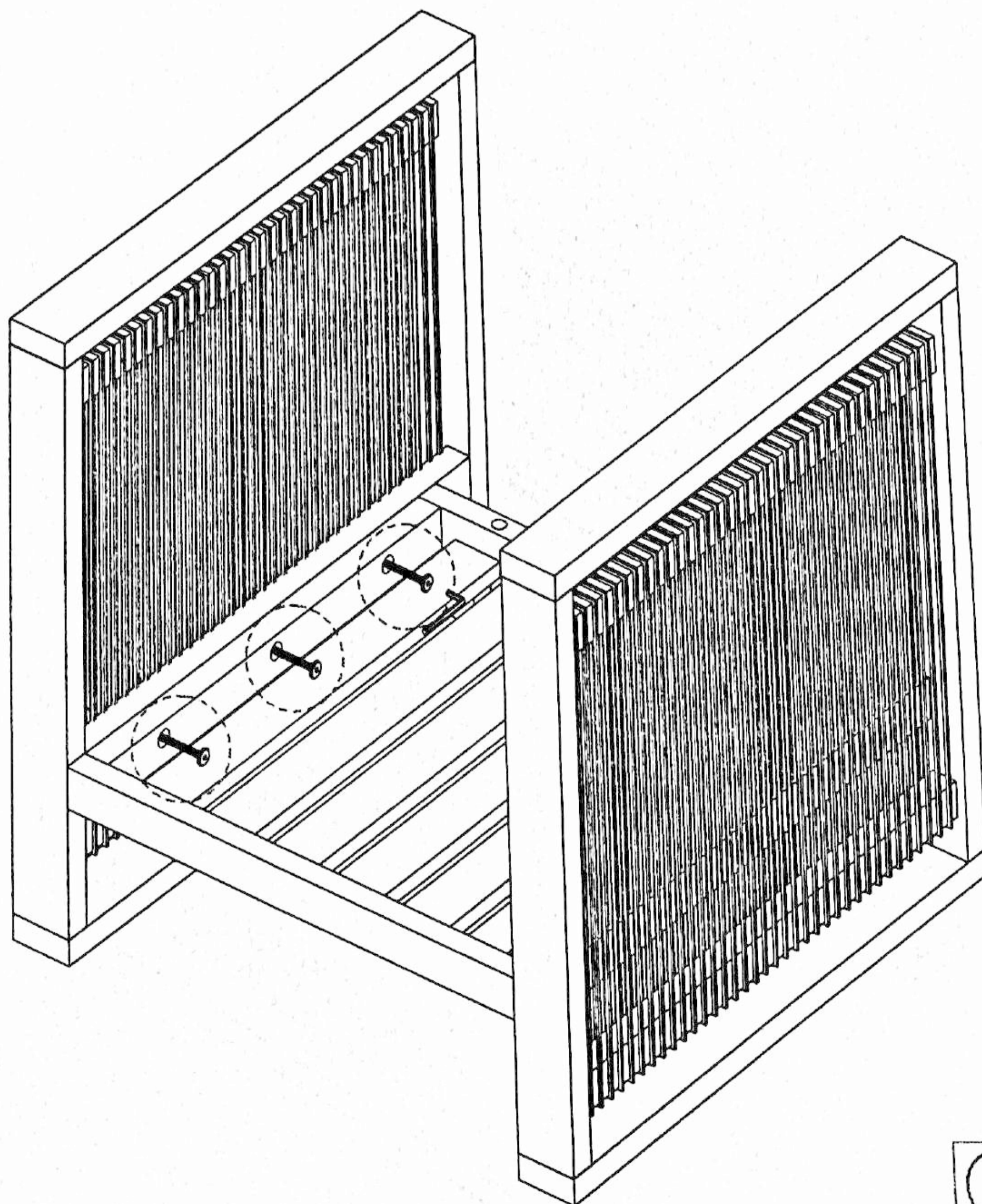
⑤ x 1


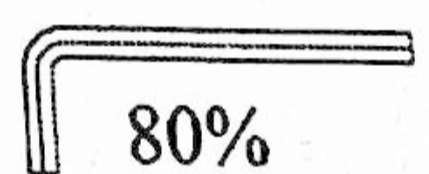
3




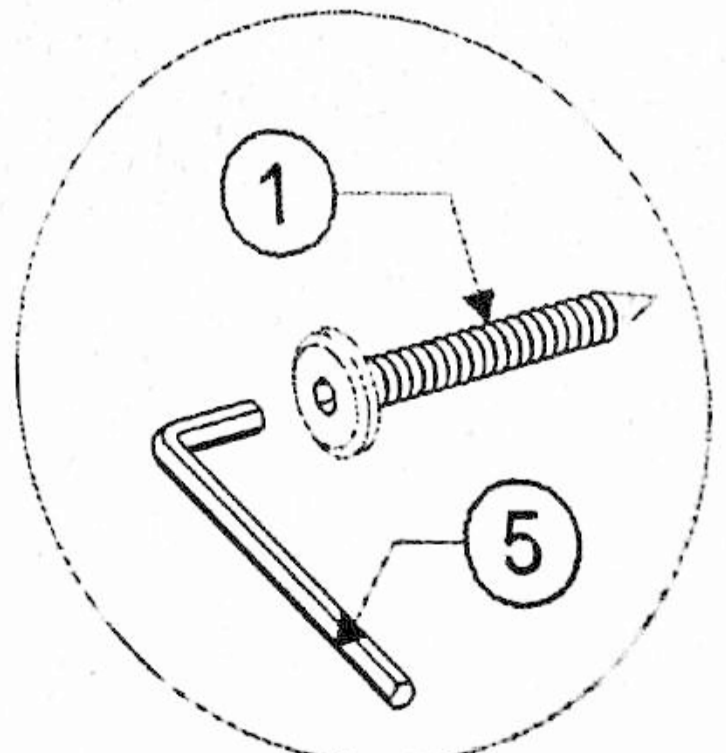
④ x 2

 Ø8X40


4




  80%

80% 

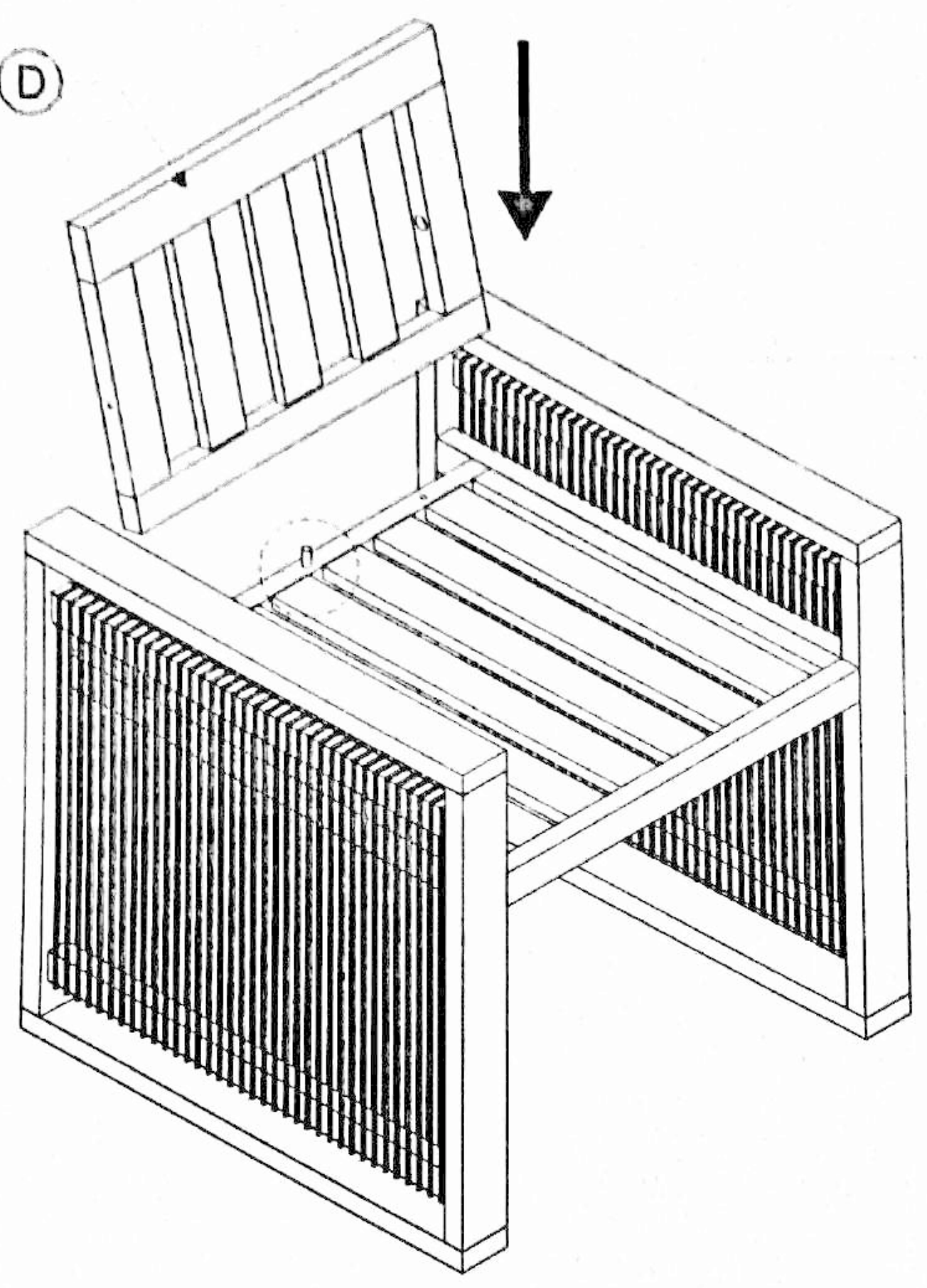


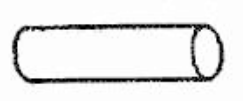
① x 3

 M7x40

⑤ x 1


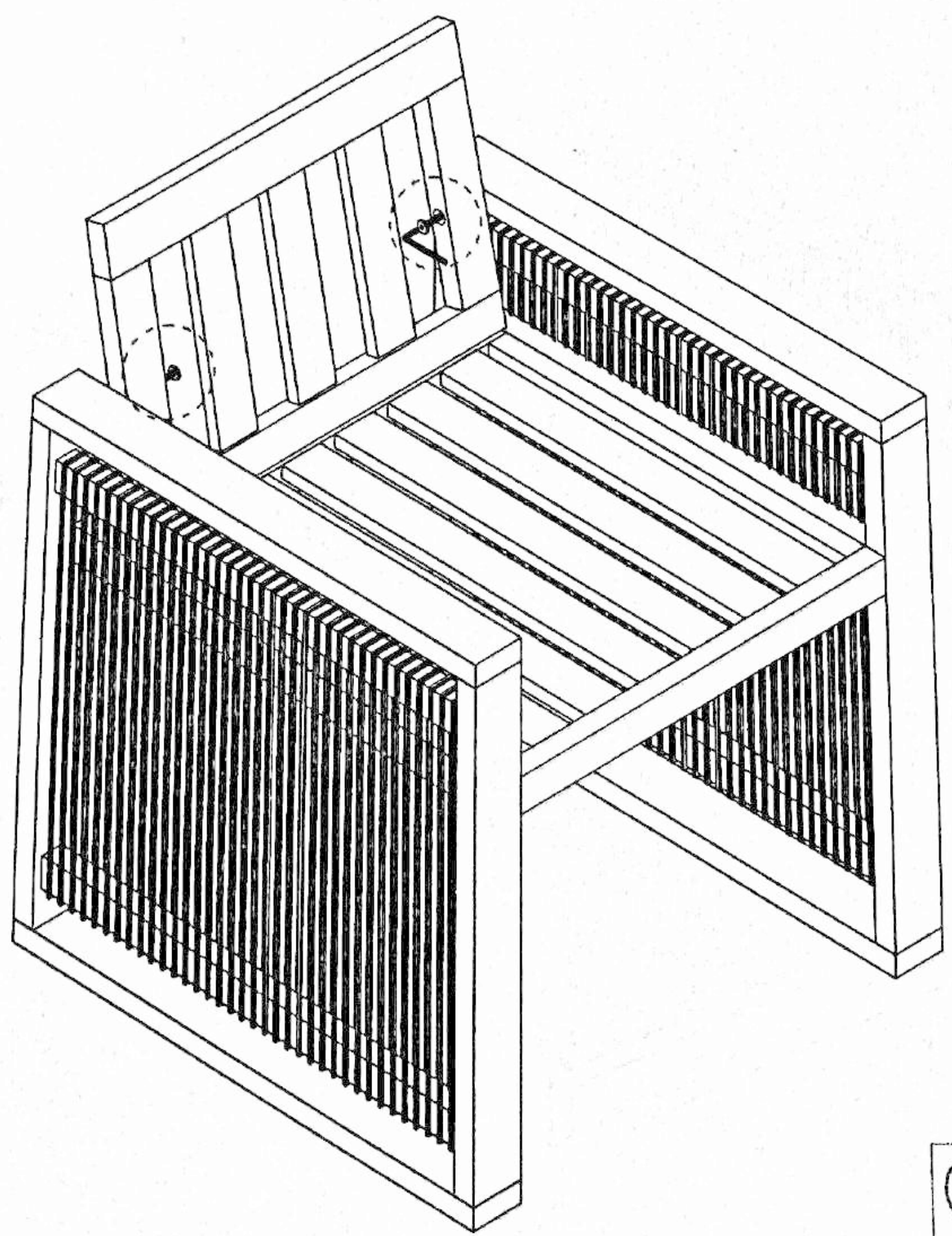
5


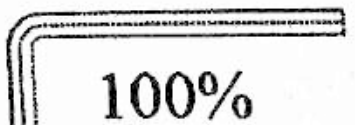

D

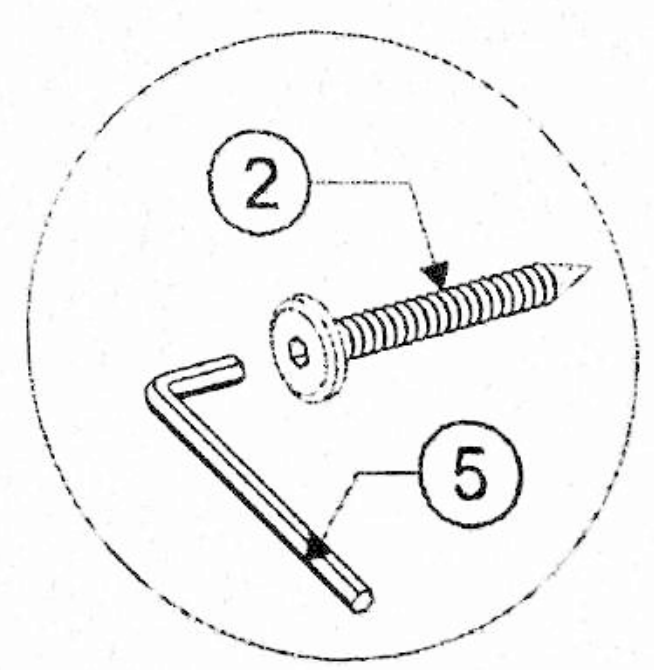


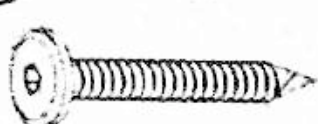
4 x 1

 Ø8X40


6

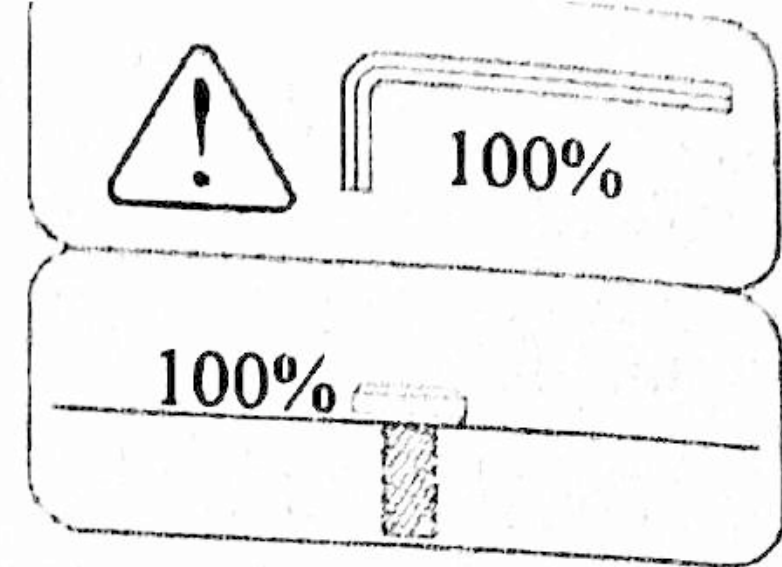
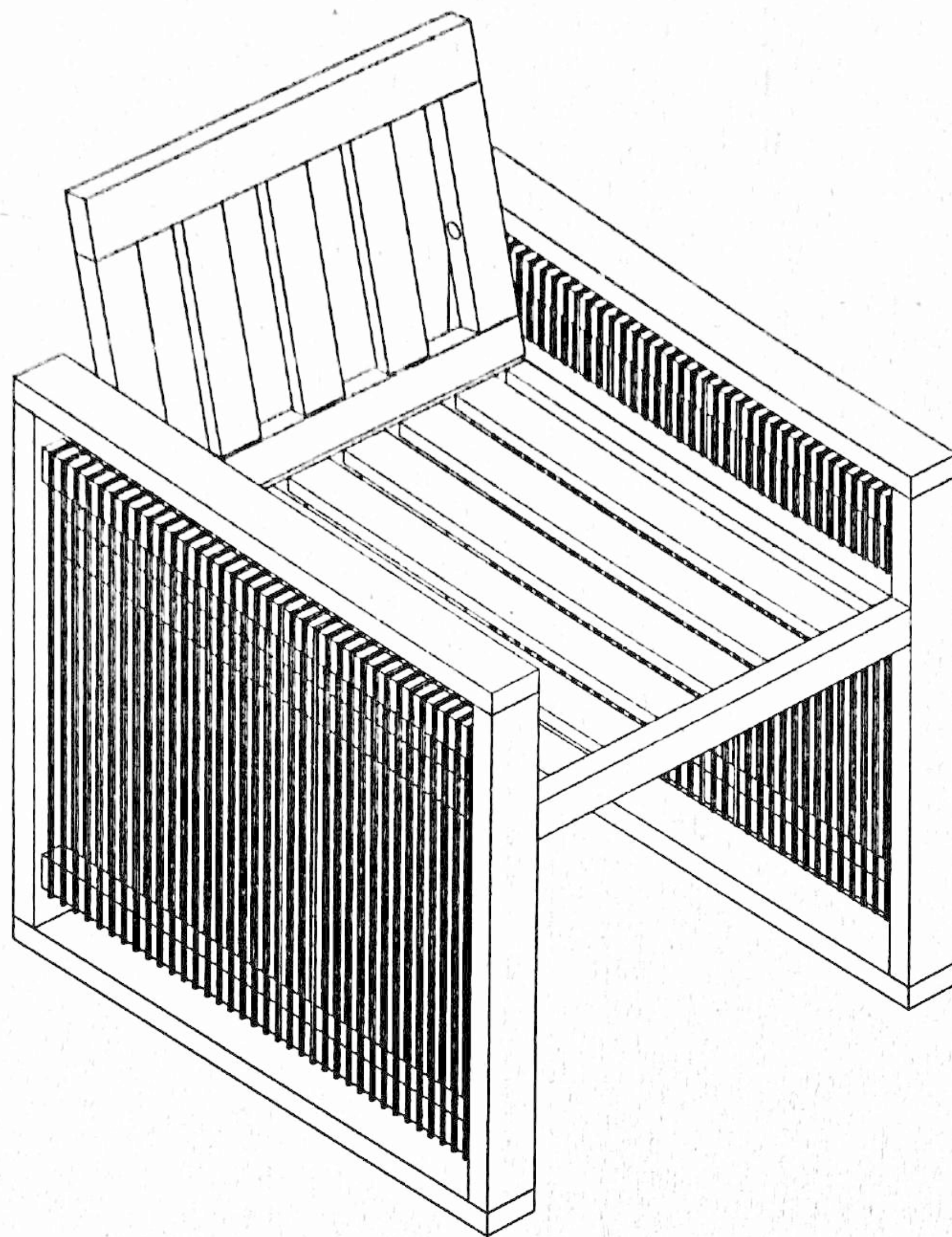


  100%
 100% 

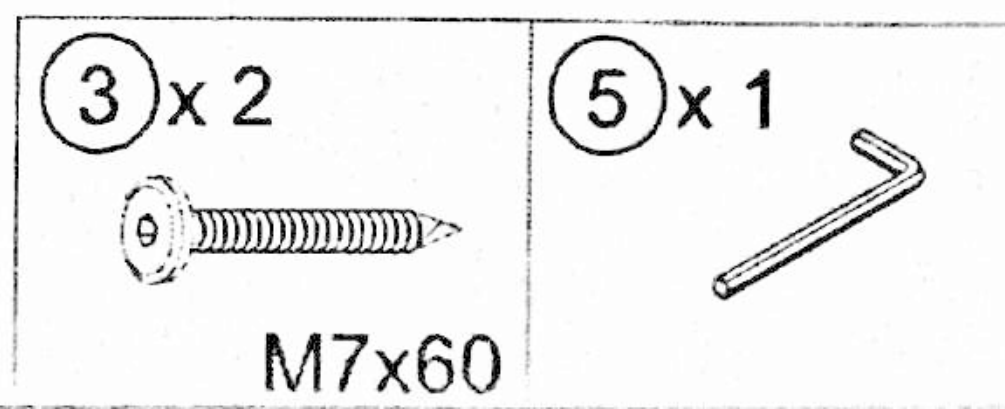
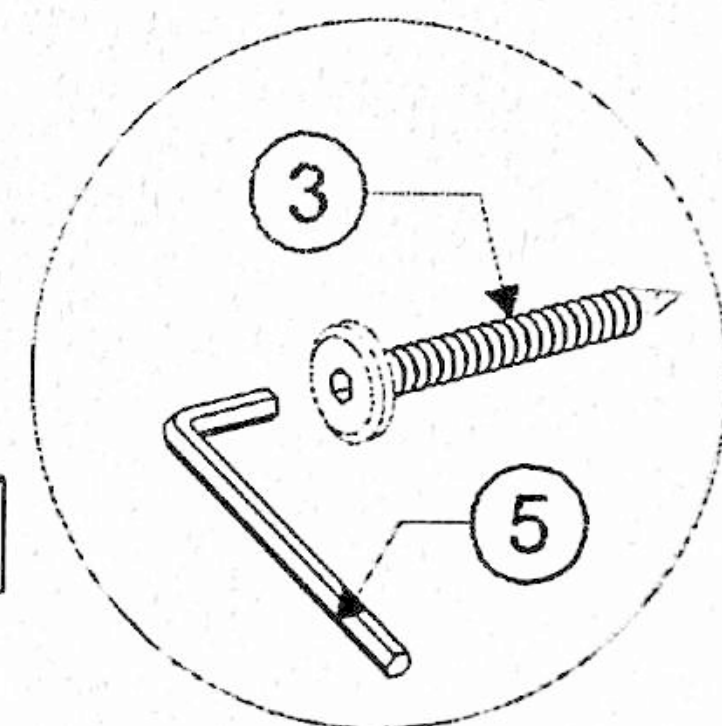
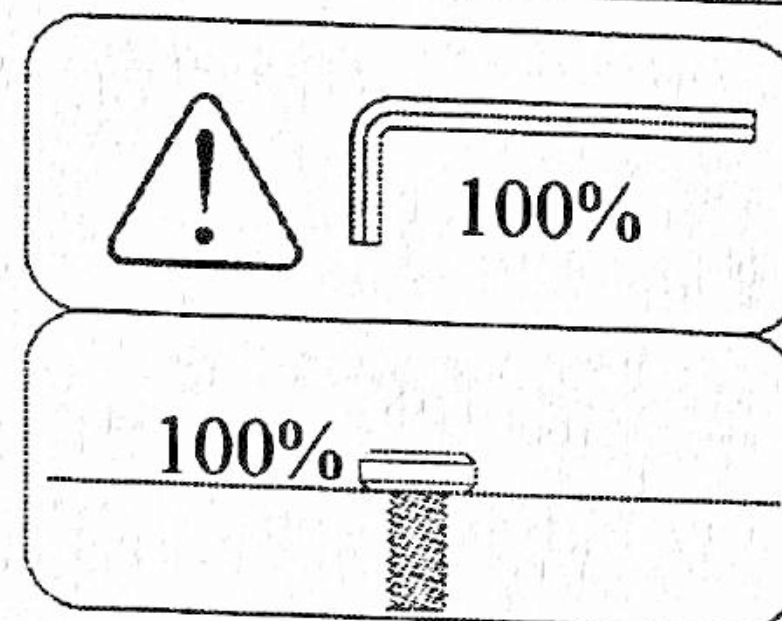
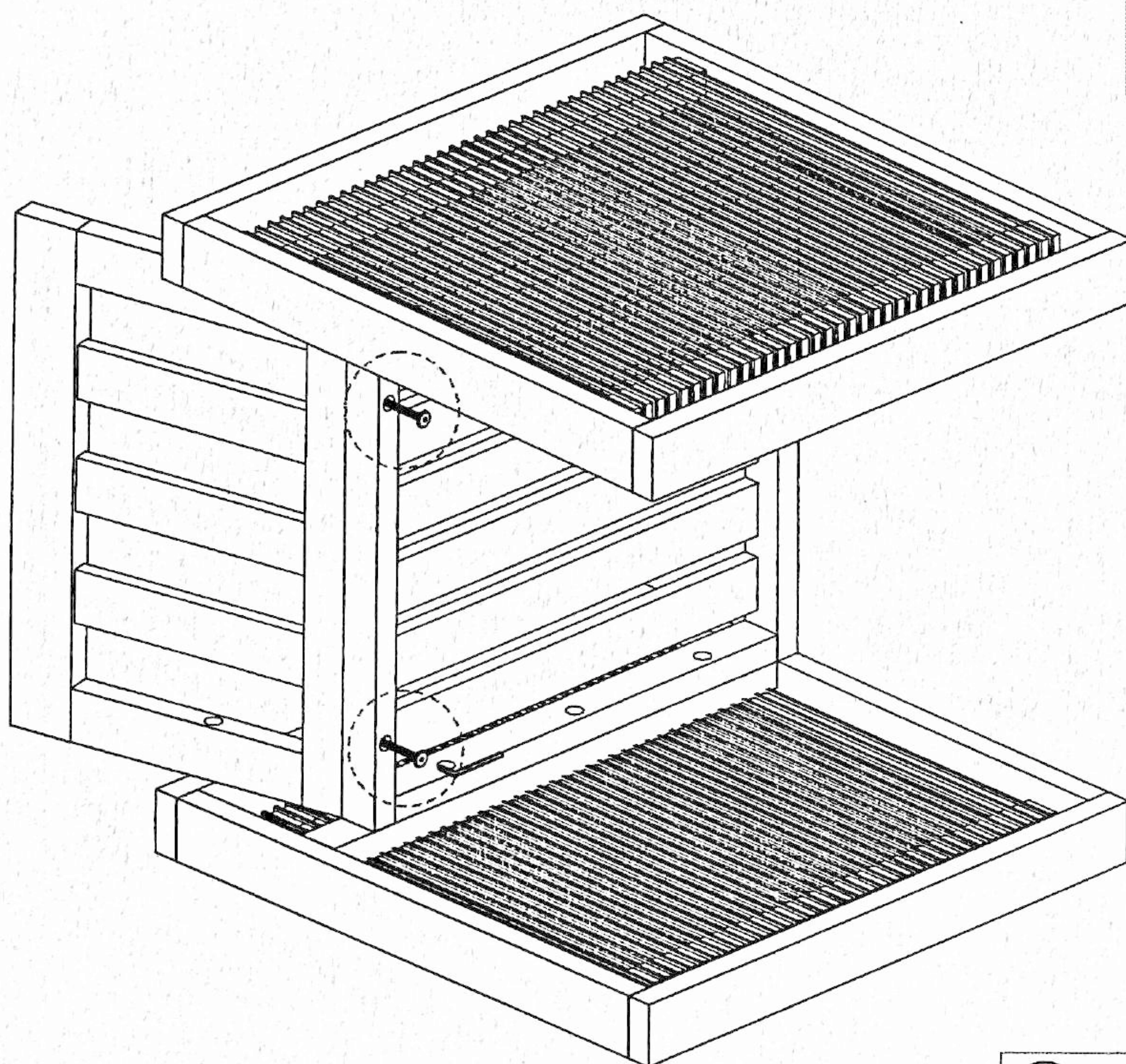


2 x 2

 M6x70

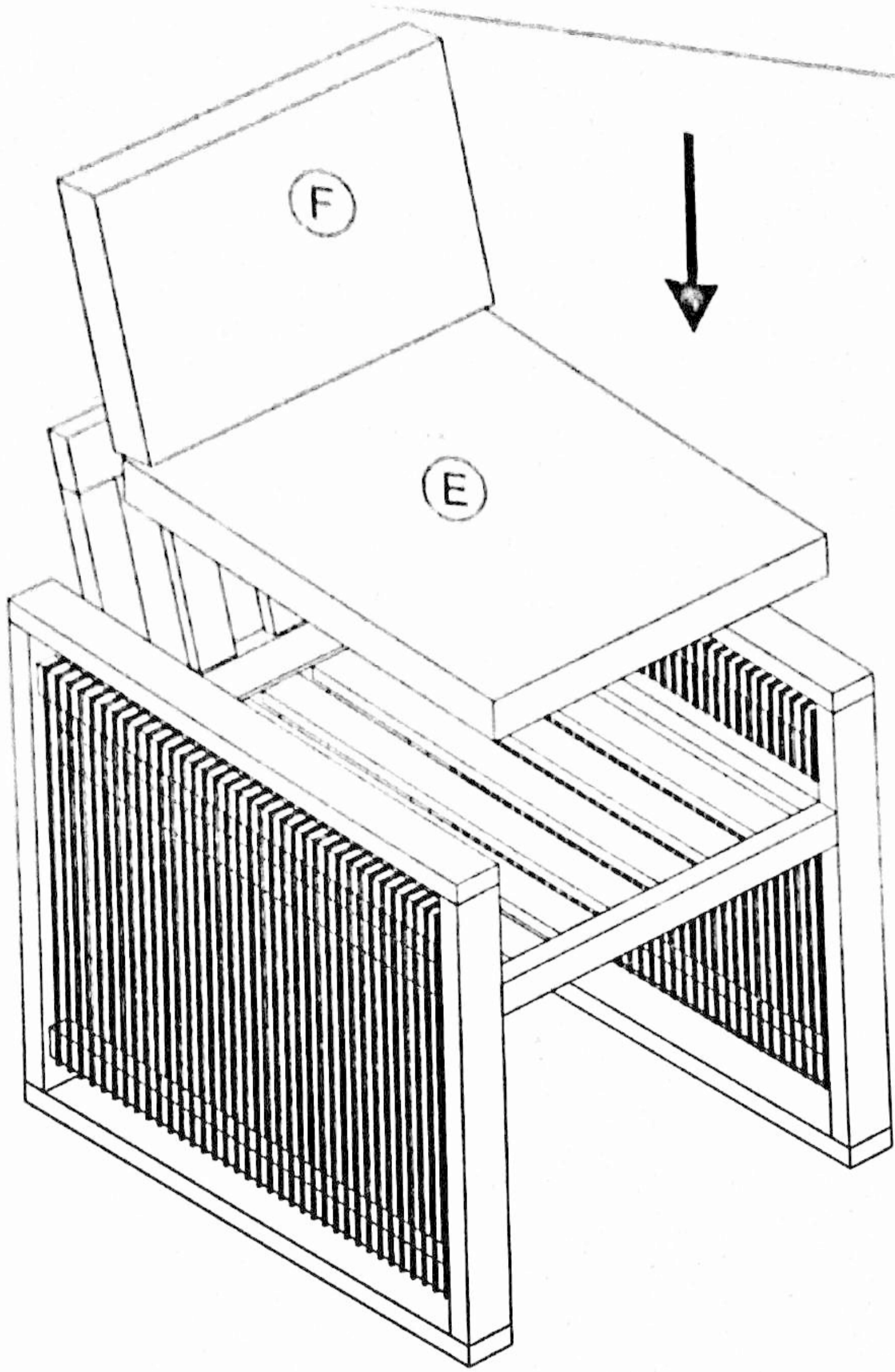
5 x 1




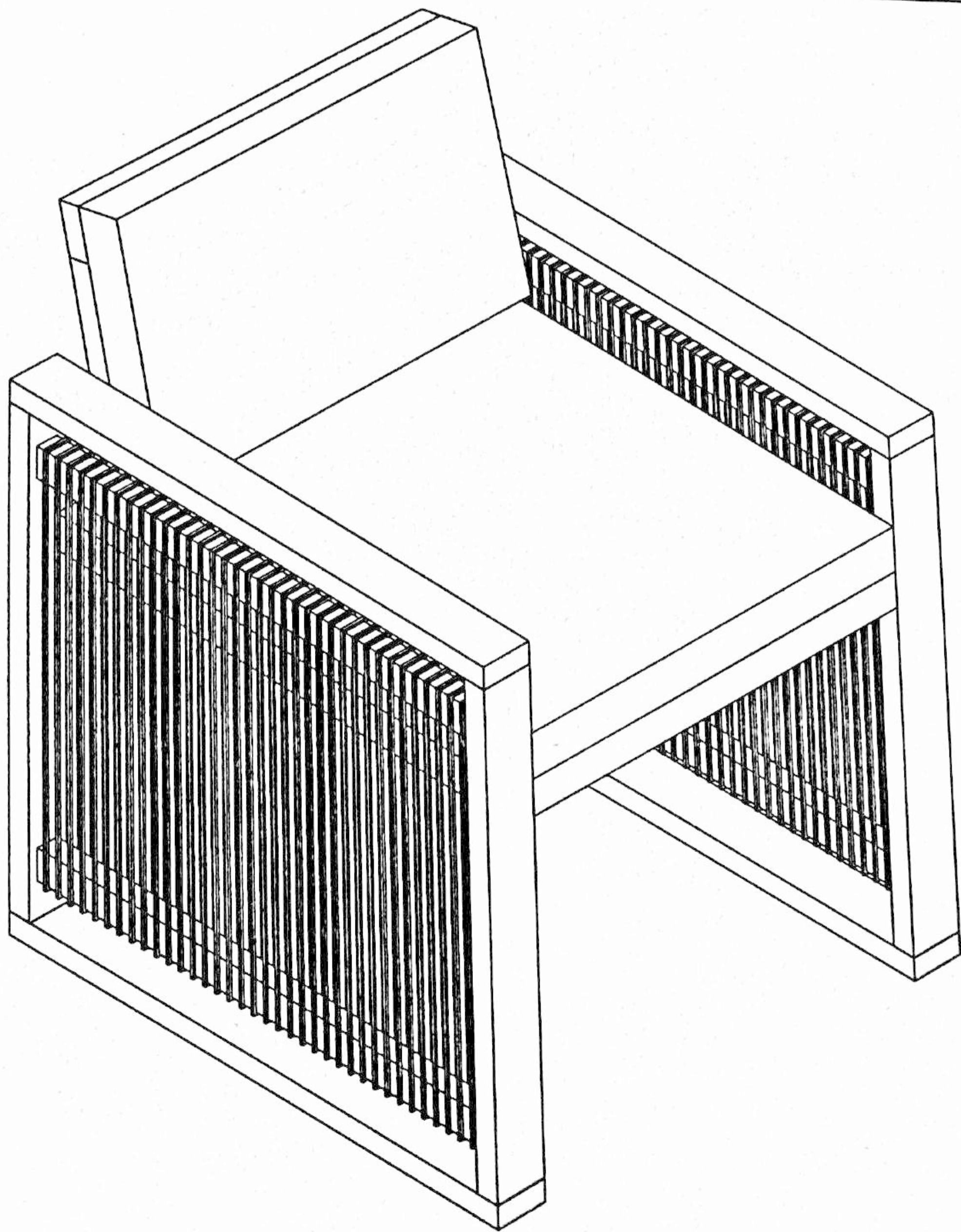
8

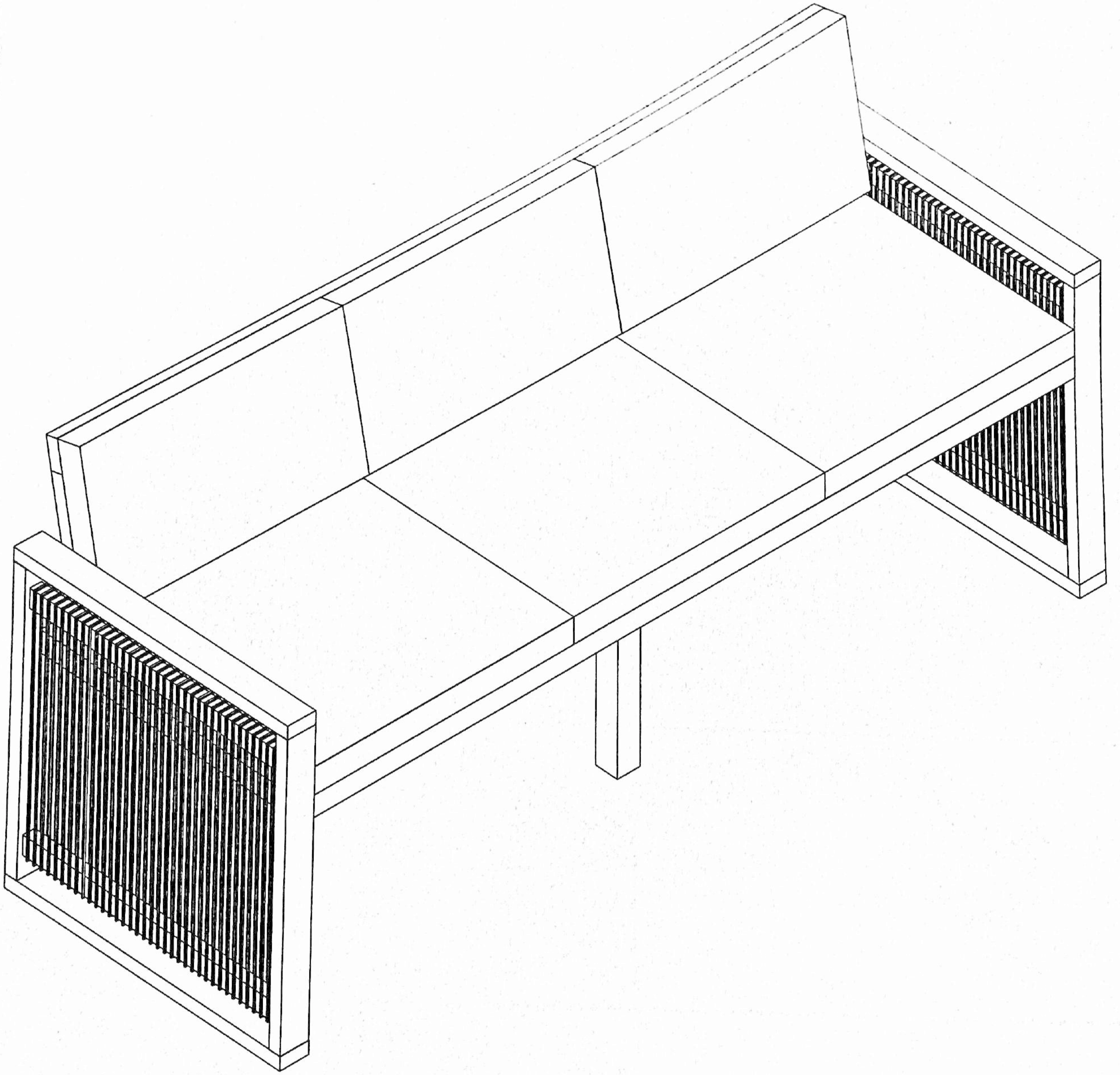
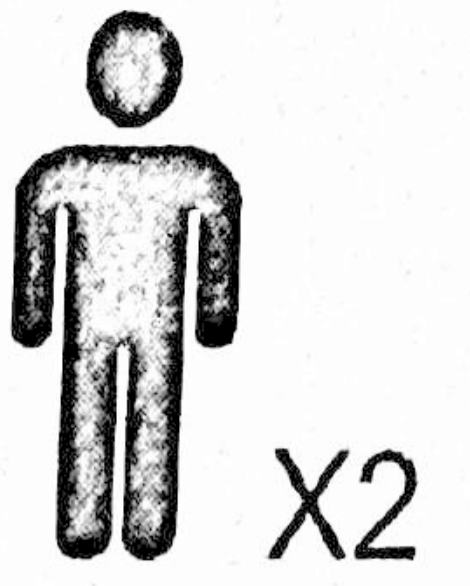


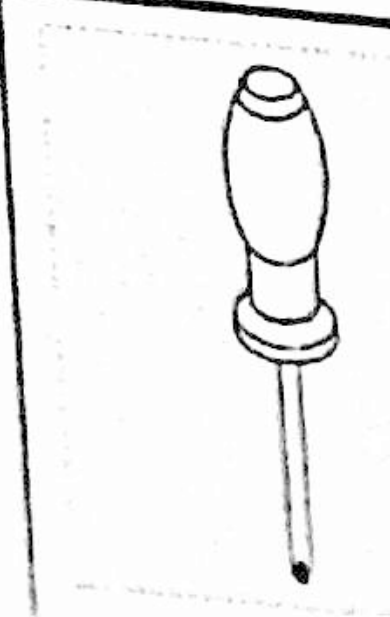
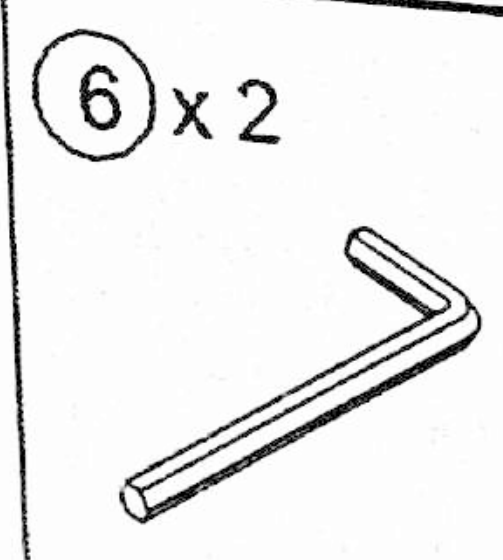
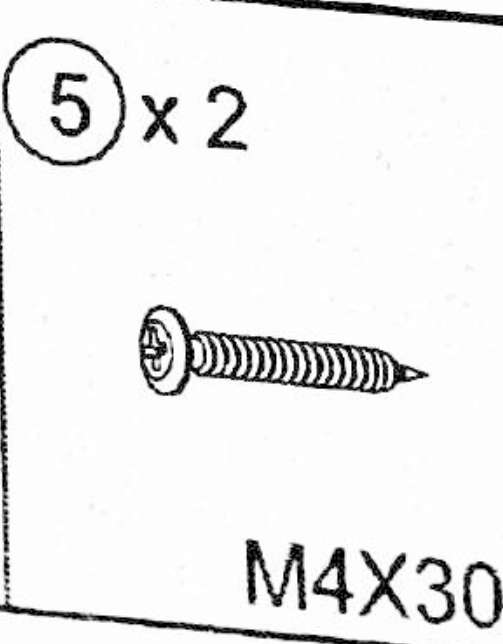
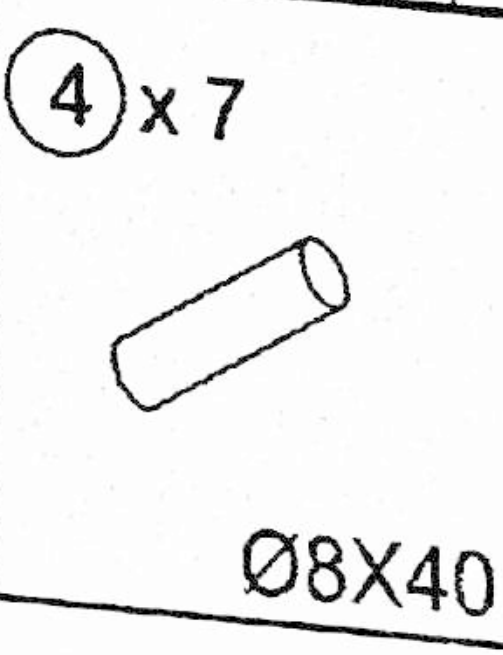
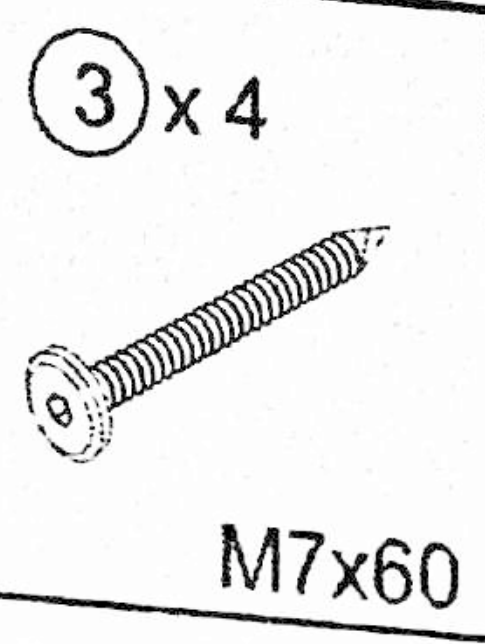
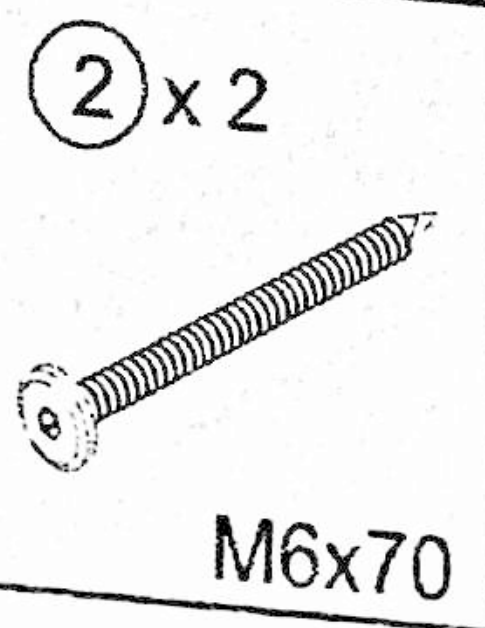
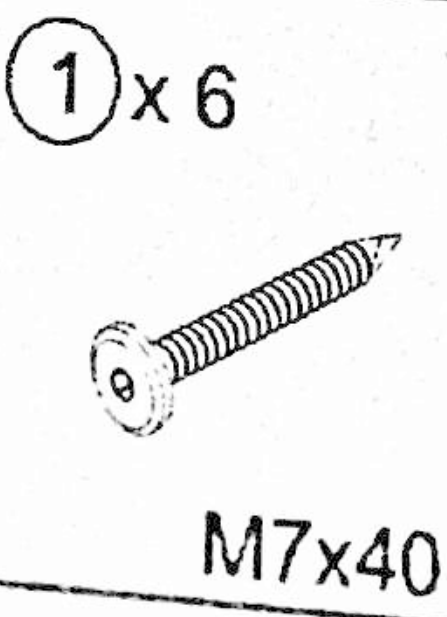
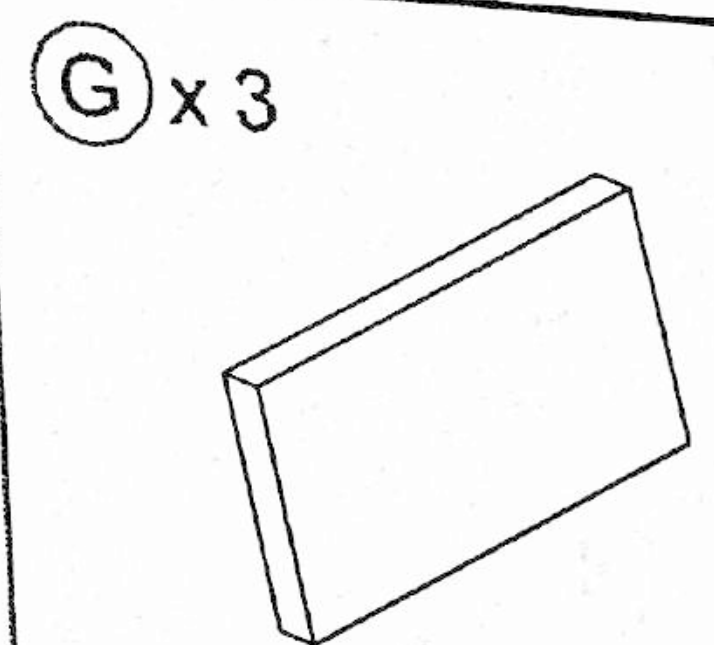
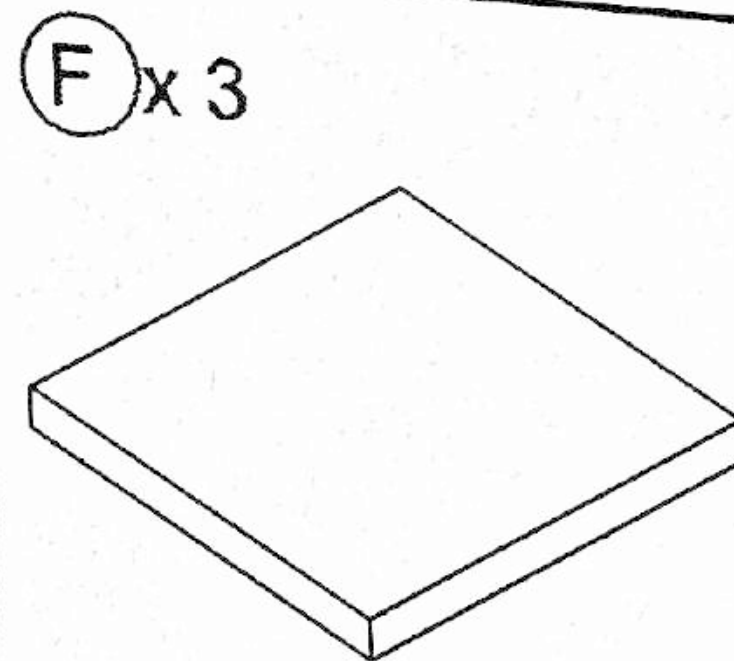
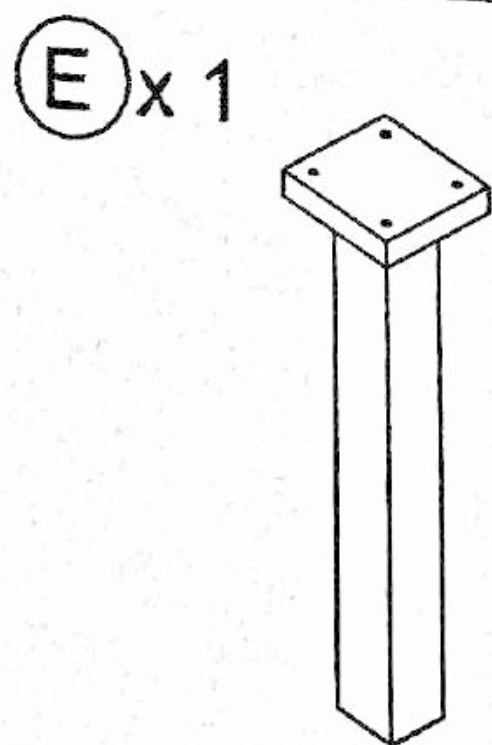
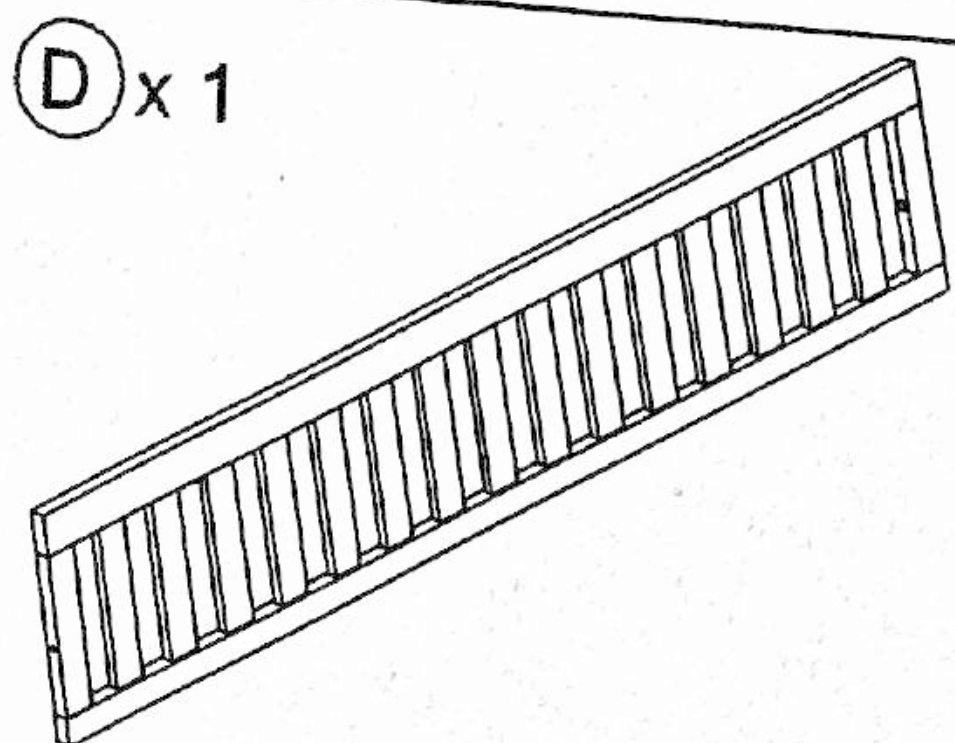
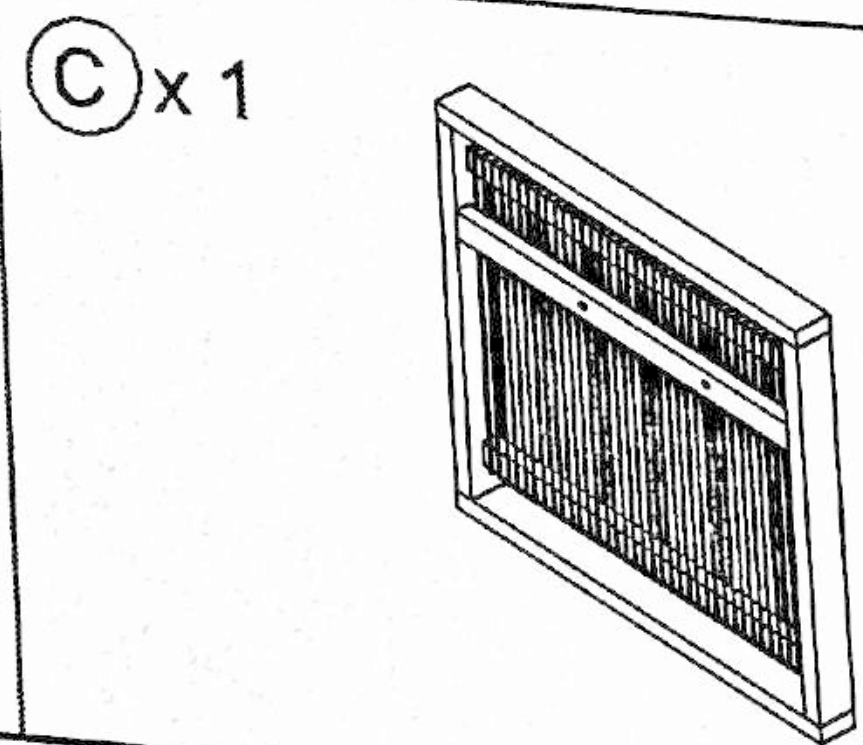
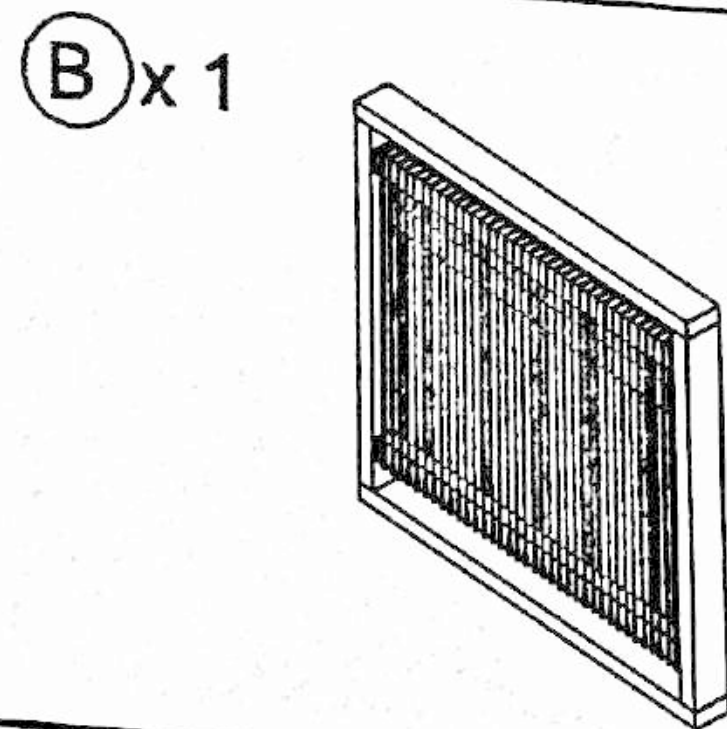
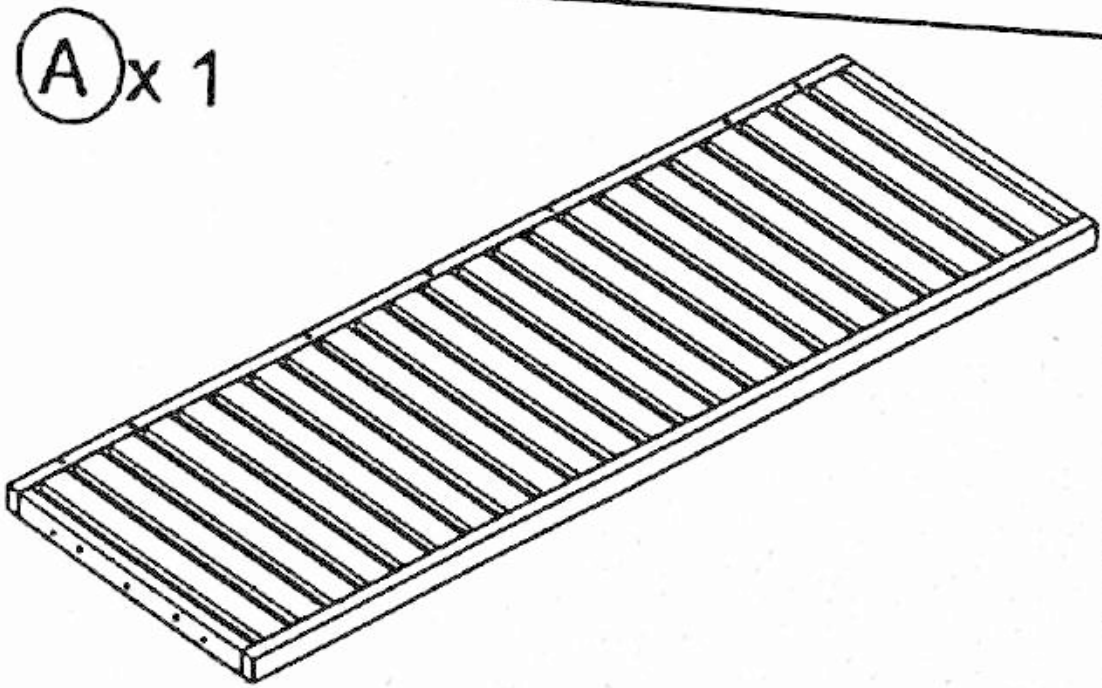
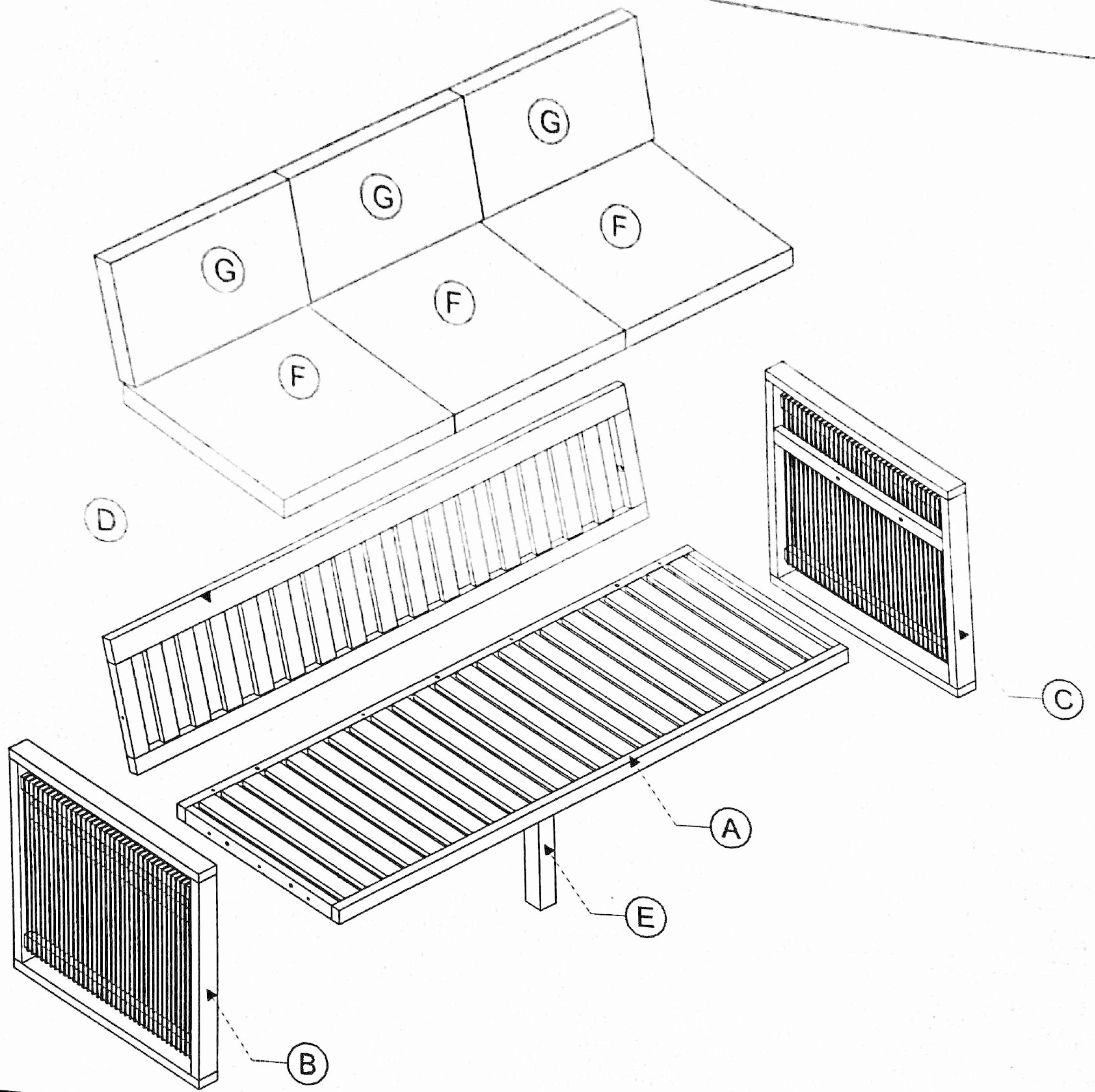
9



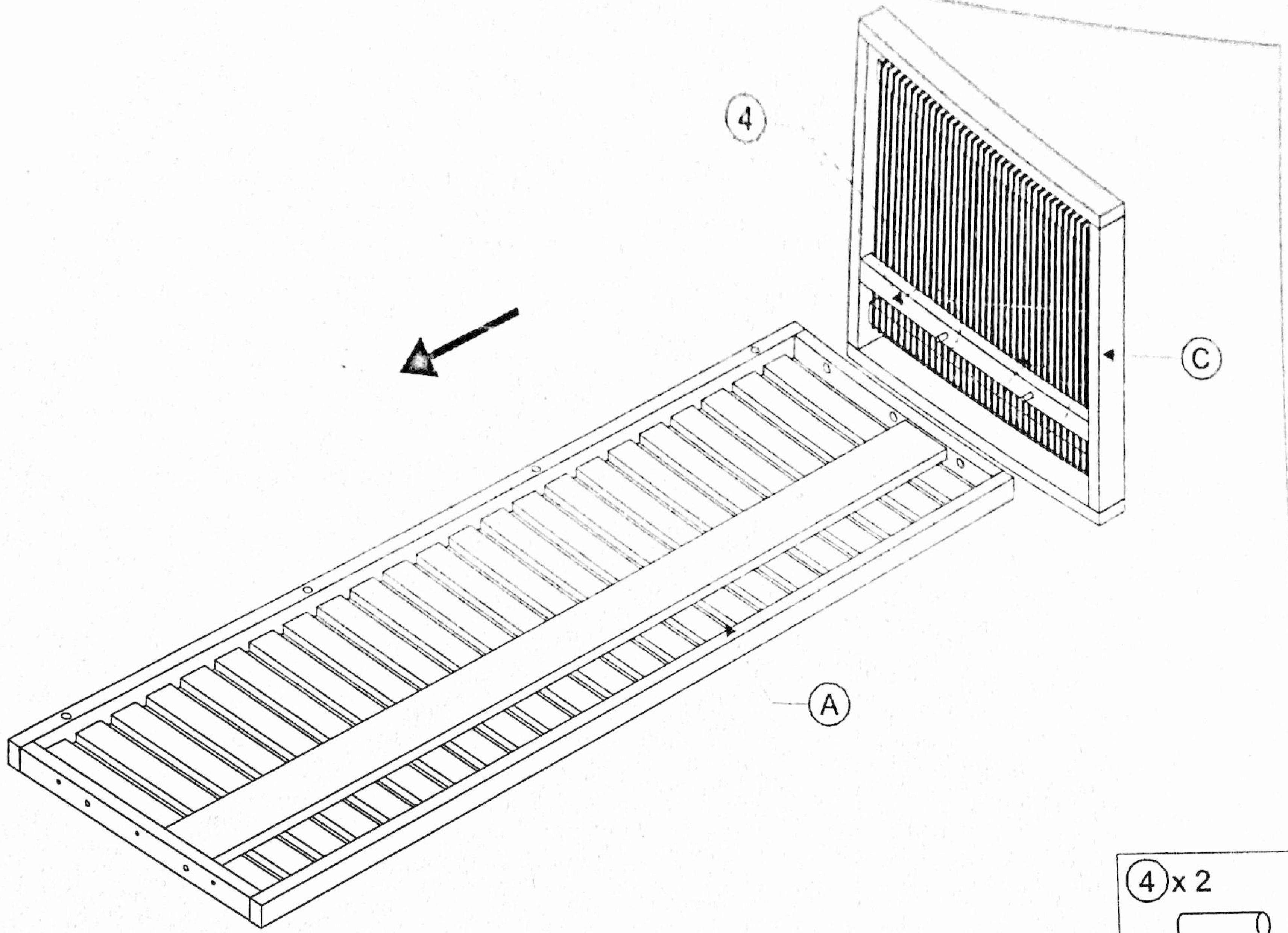
10

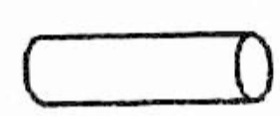




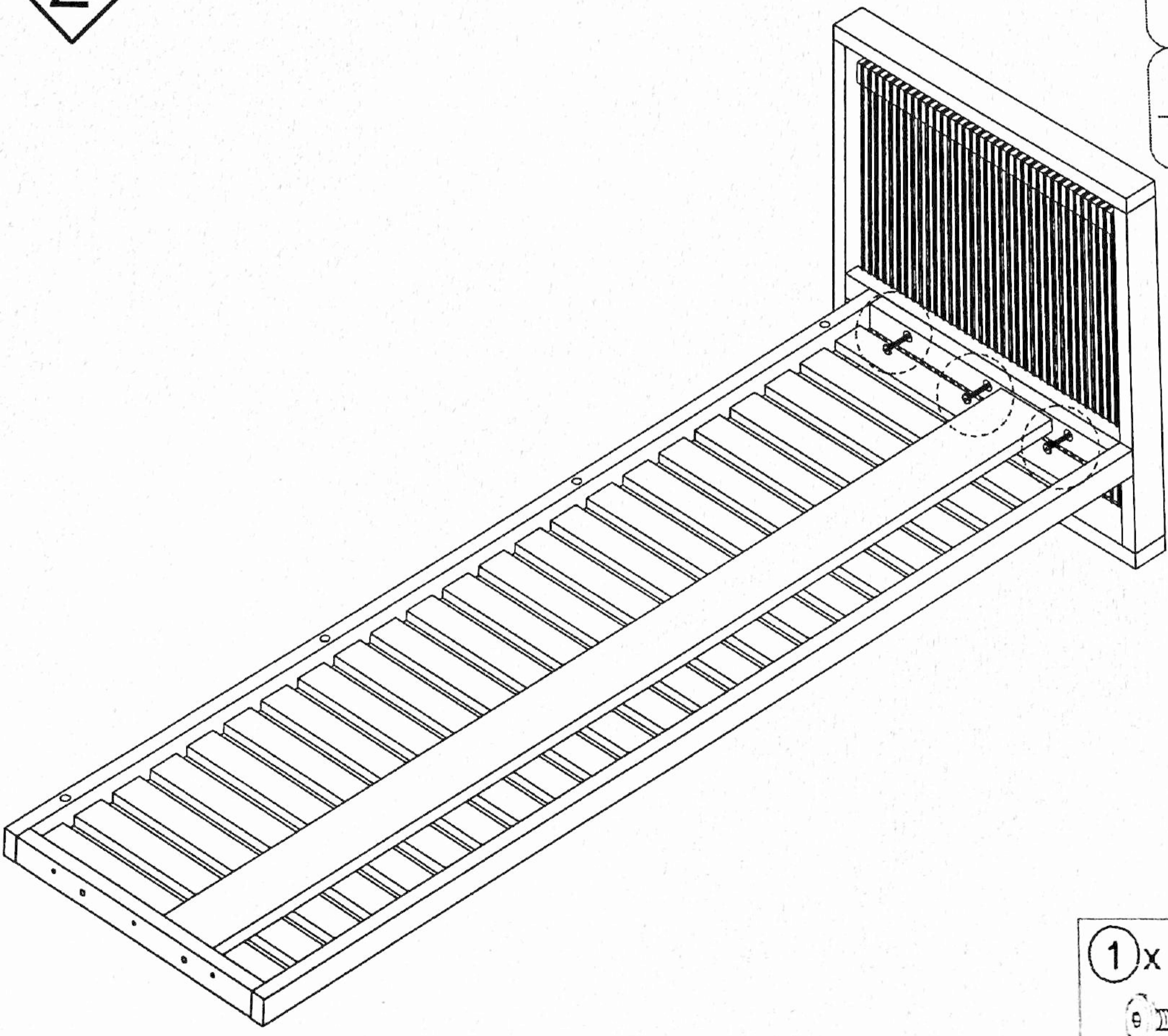


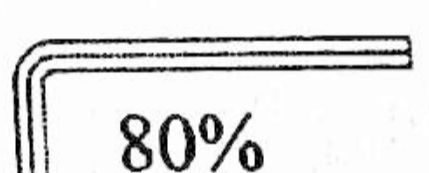
1




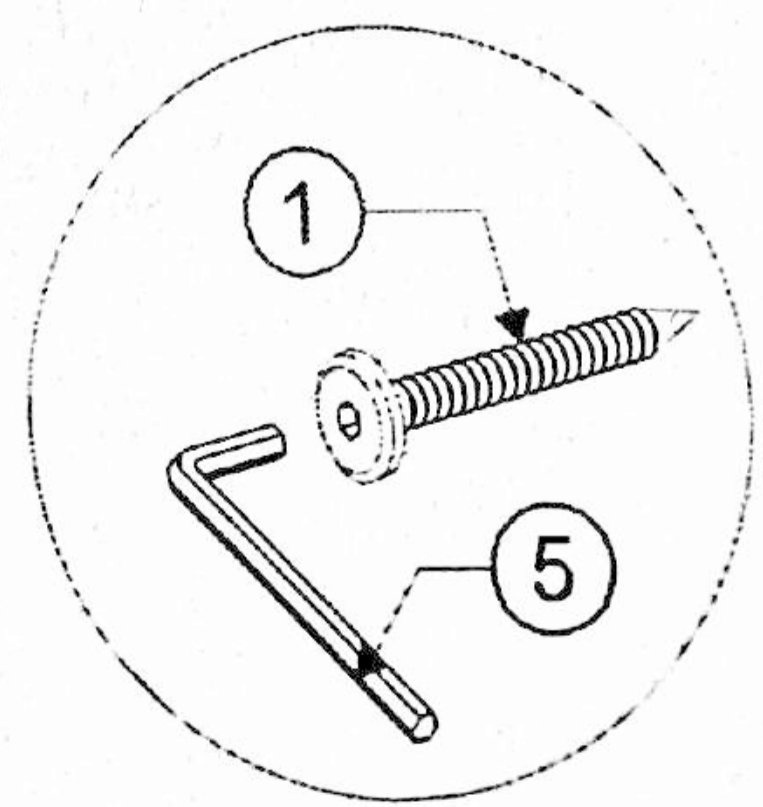
④ x 2

 Ø8X40


2

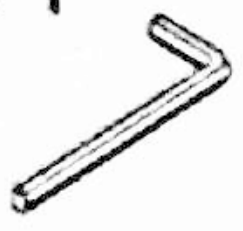


⚠  80%

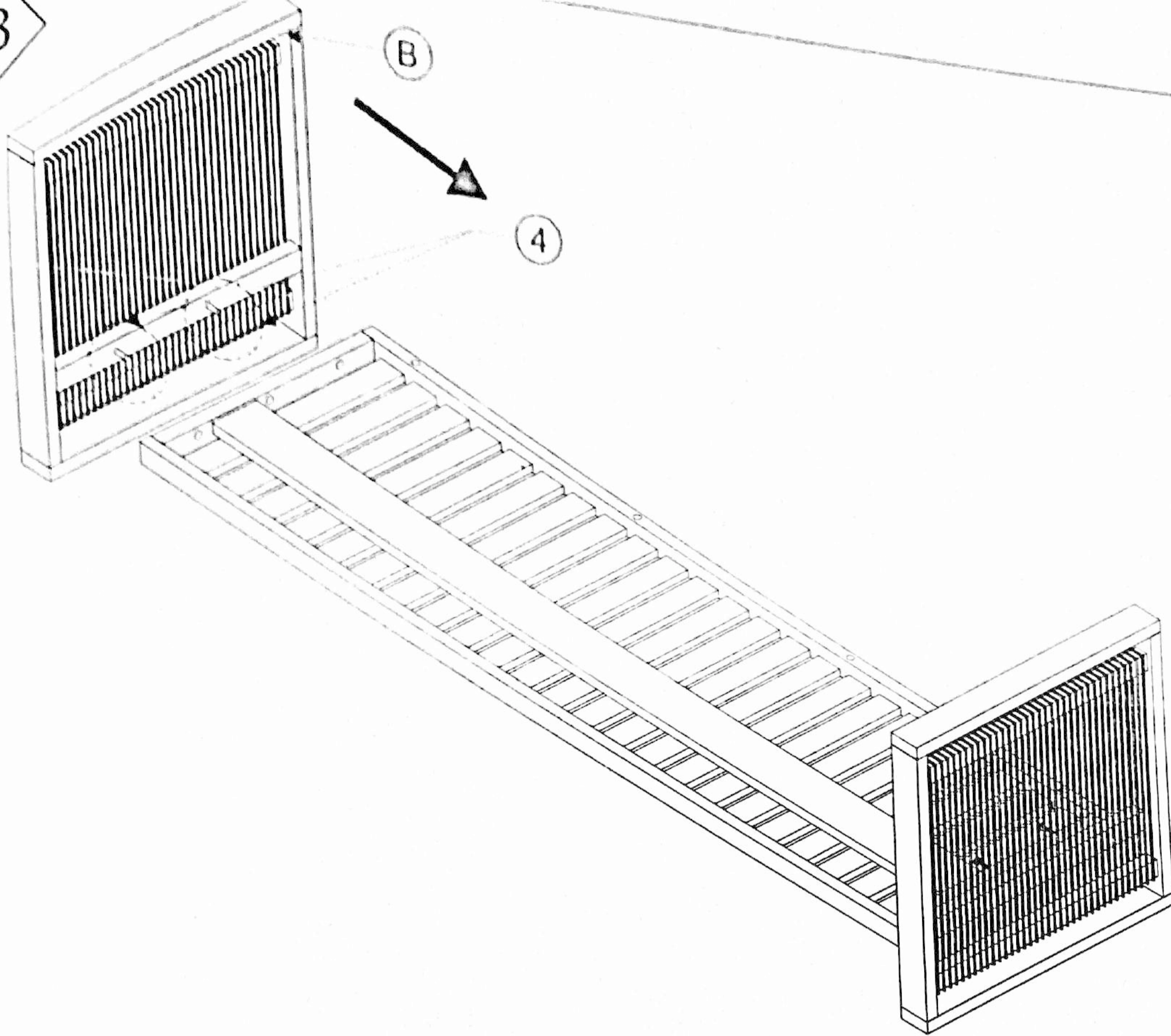
80% 

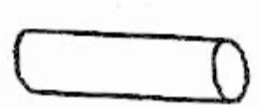


① x 3

 M7x40

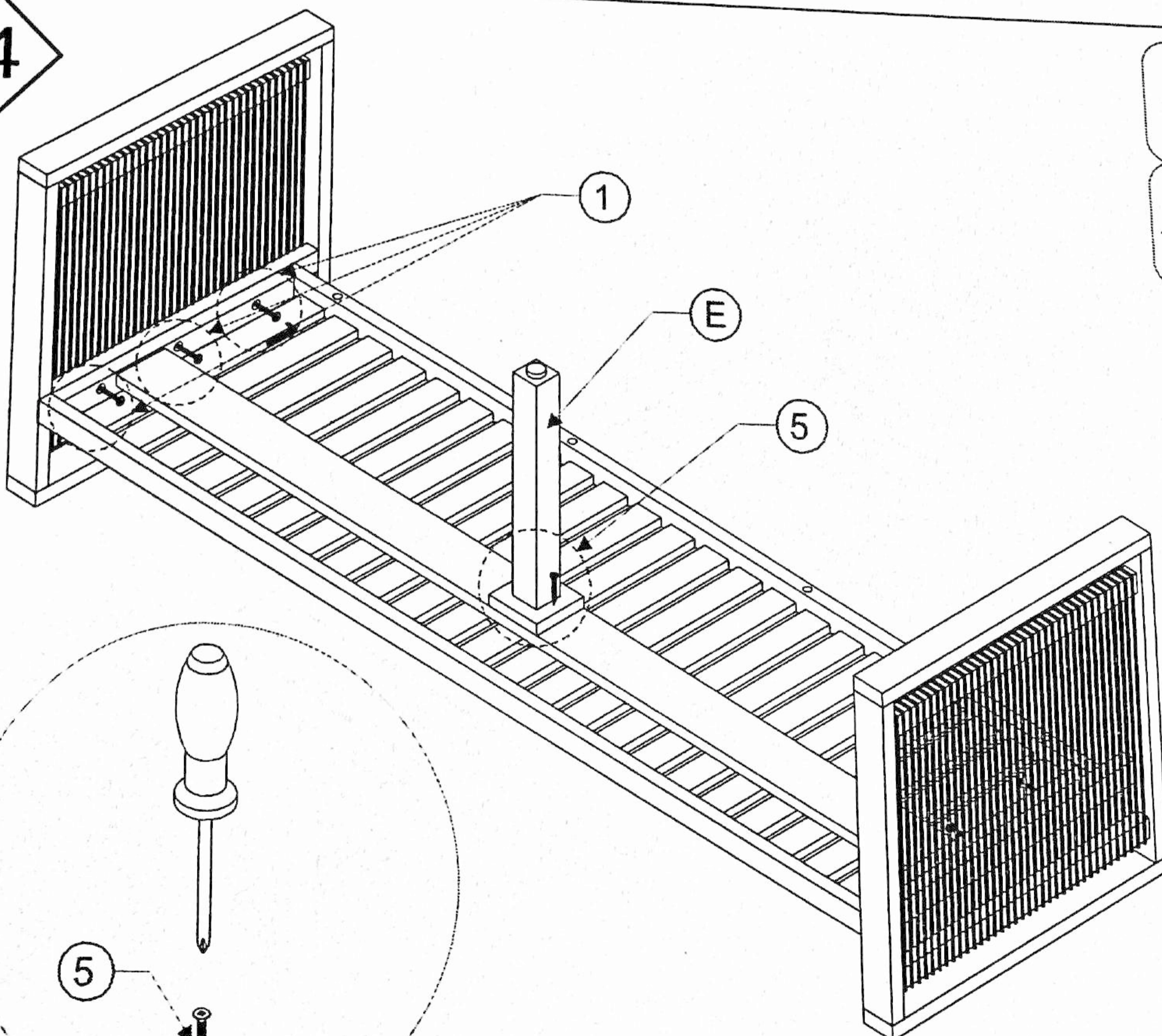
⑥ x 1



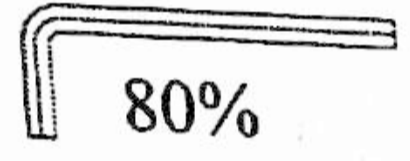

3

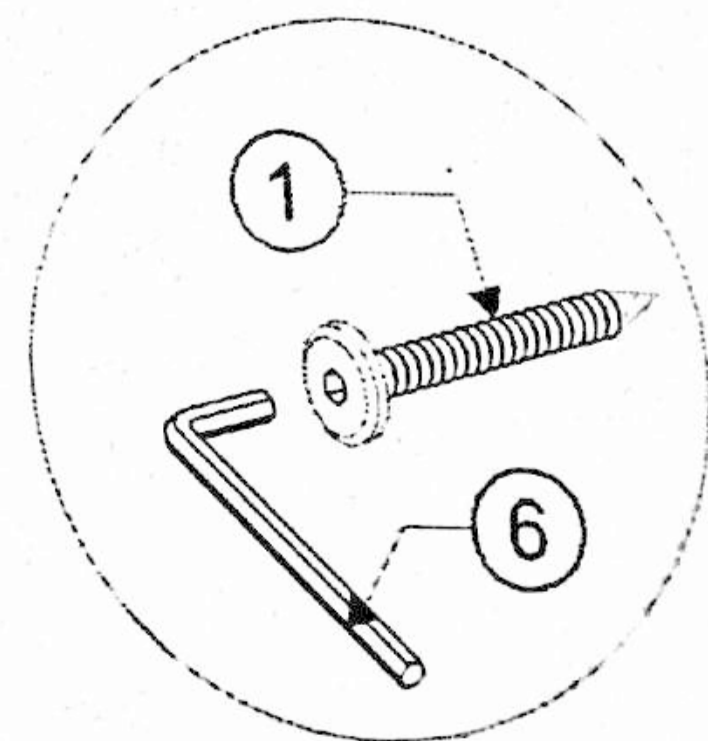
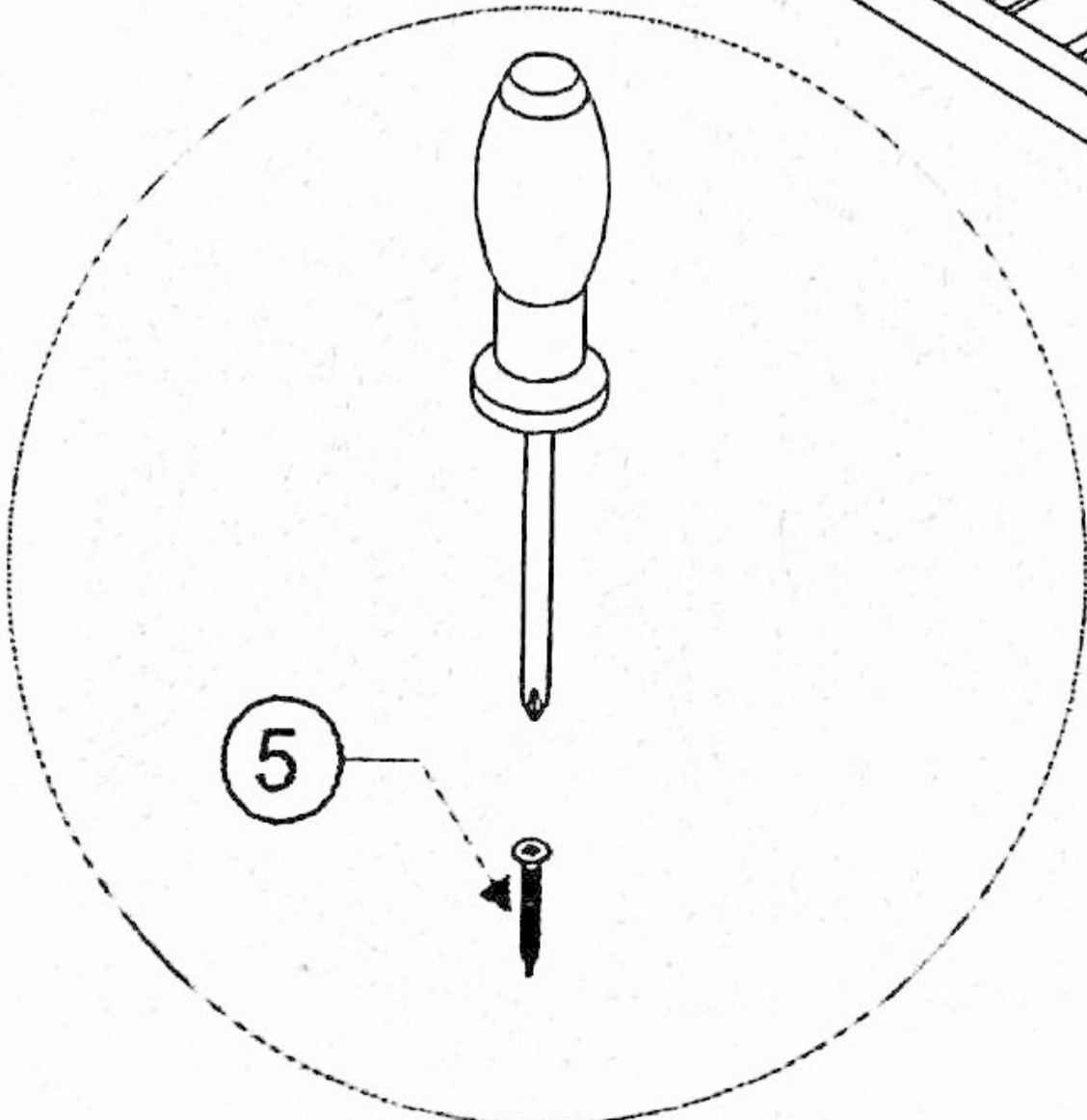



4 x 2

 Ø8X40


4




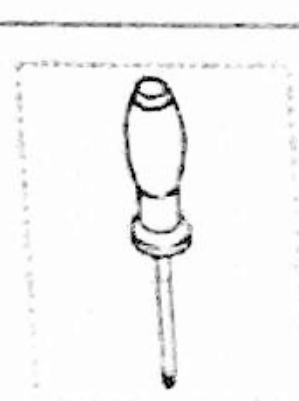
  80%
 80% 

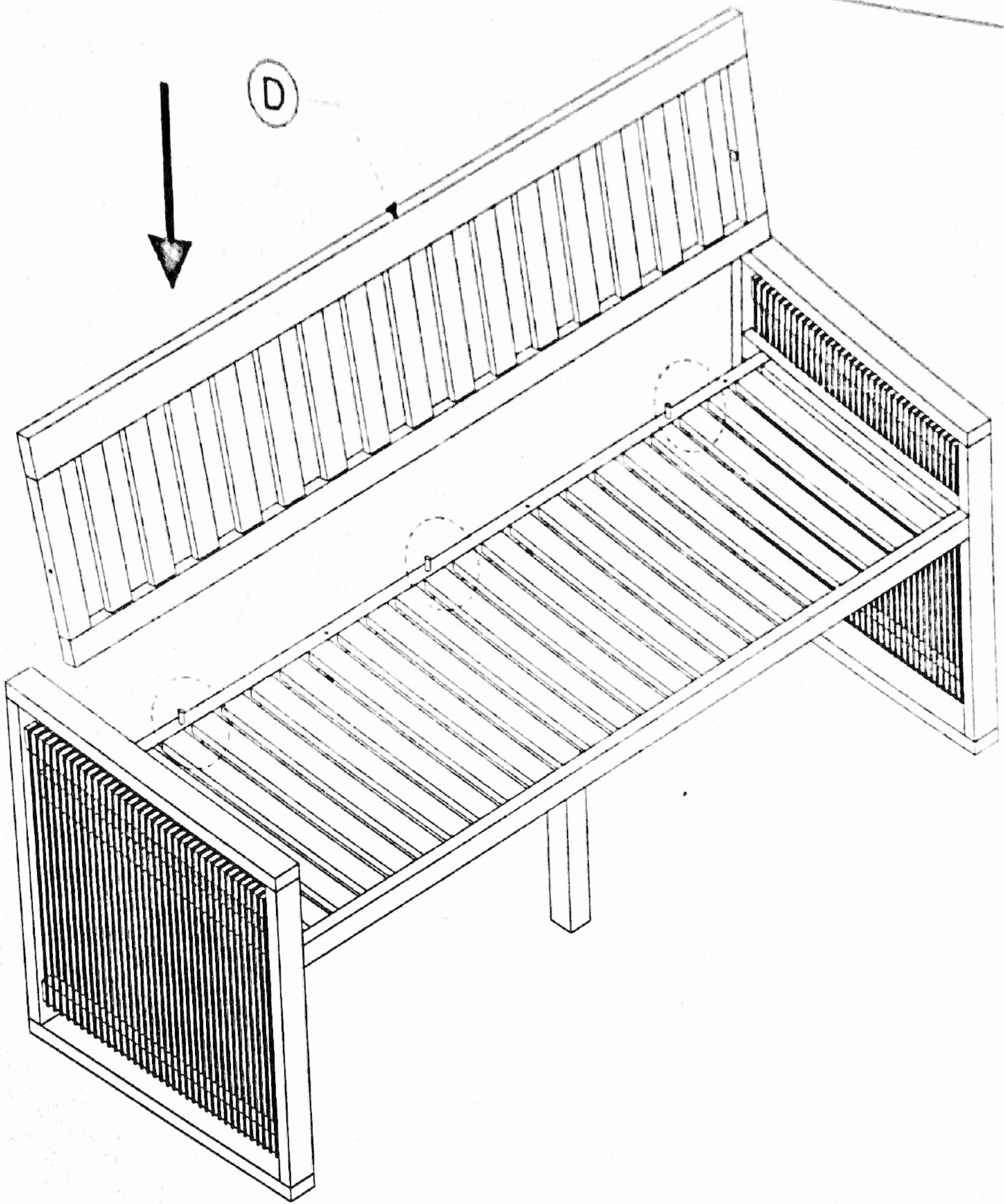


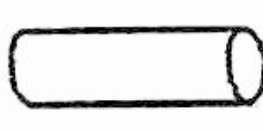
1 x 3

 M7x40

5 x 2

 M4x30

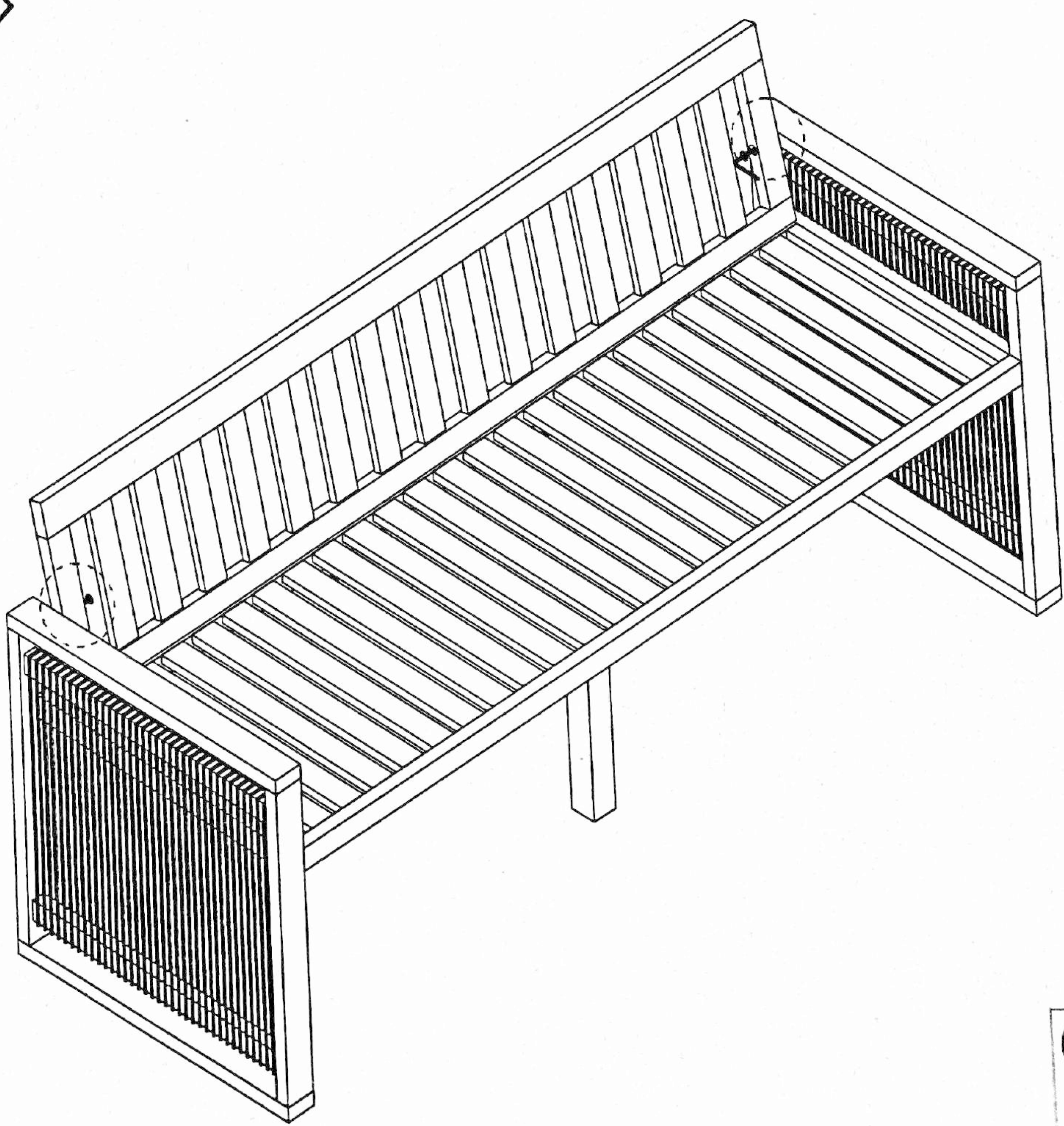
6 x 1



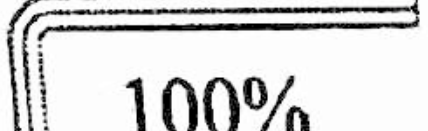



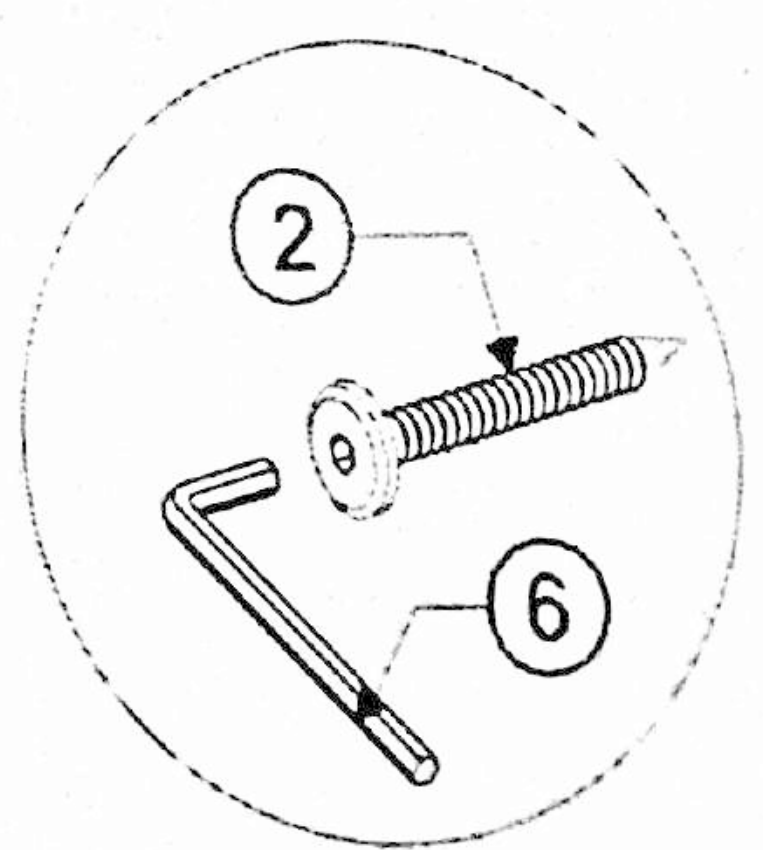




④ x 3

 Ø8X40

6

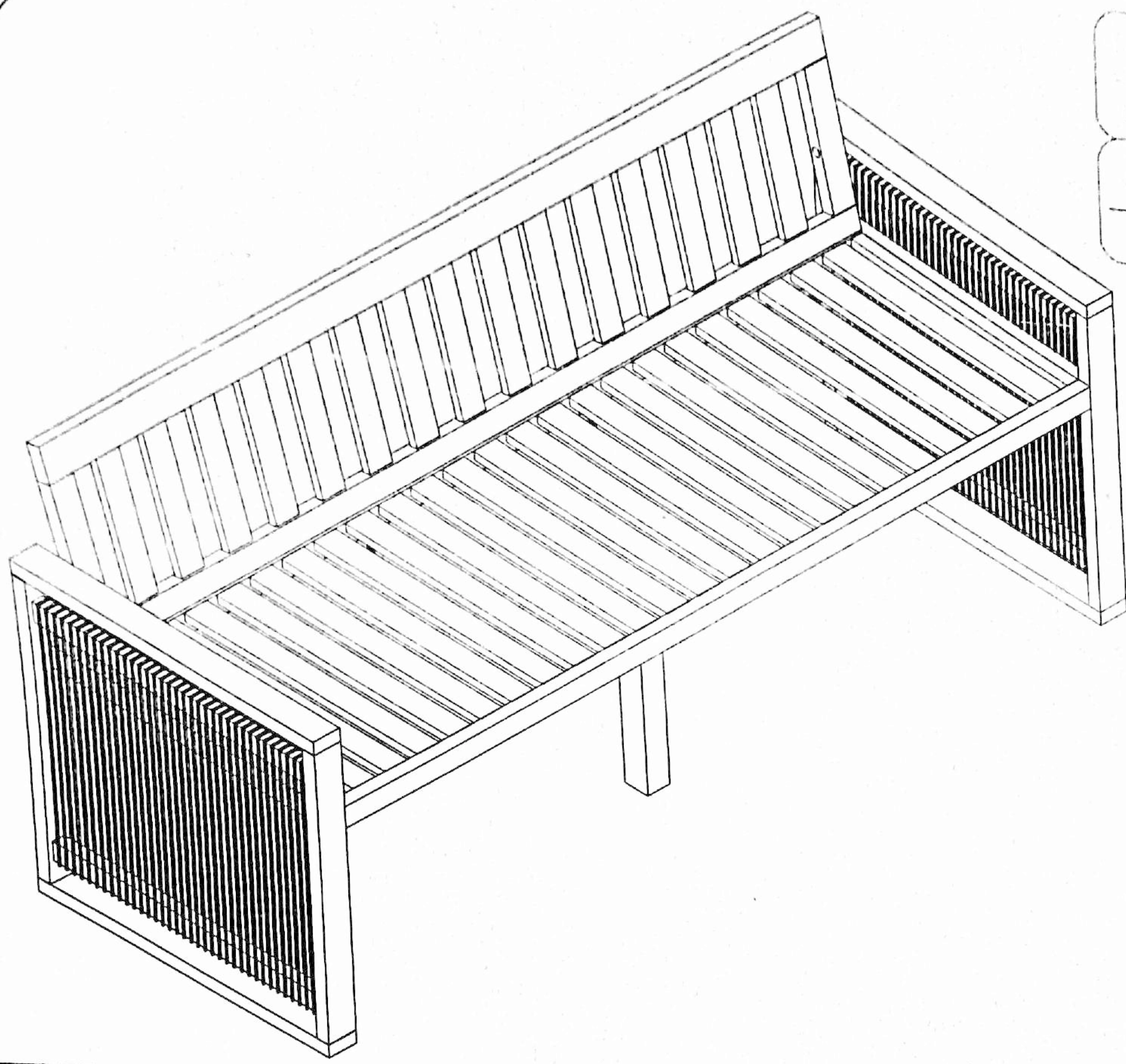


  100%
 100% 



② x 2

 M6x70
 ⑥ x 1


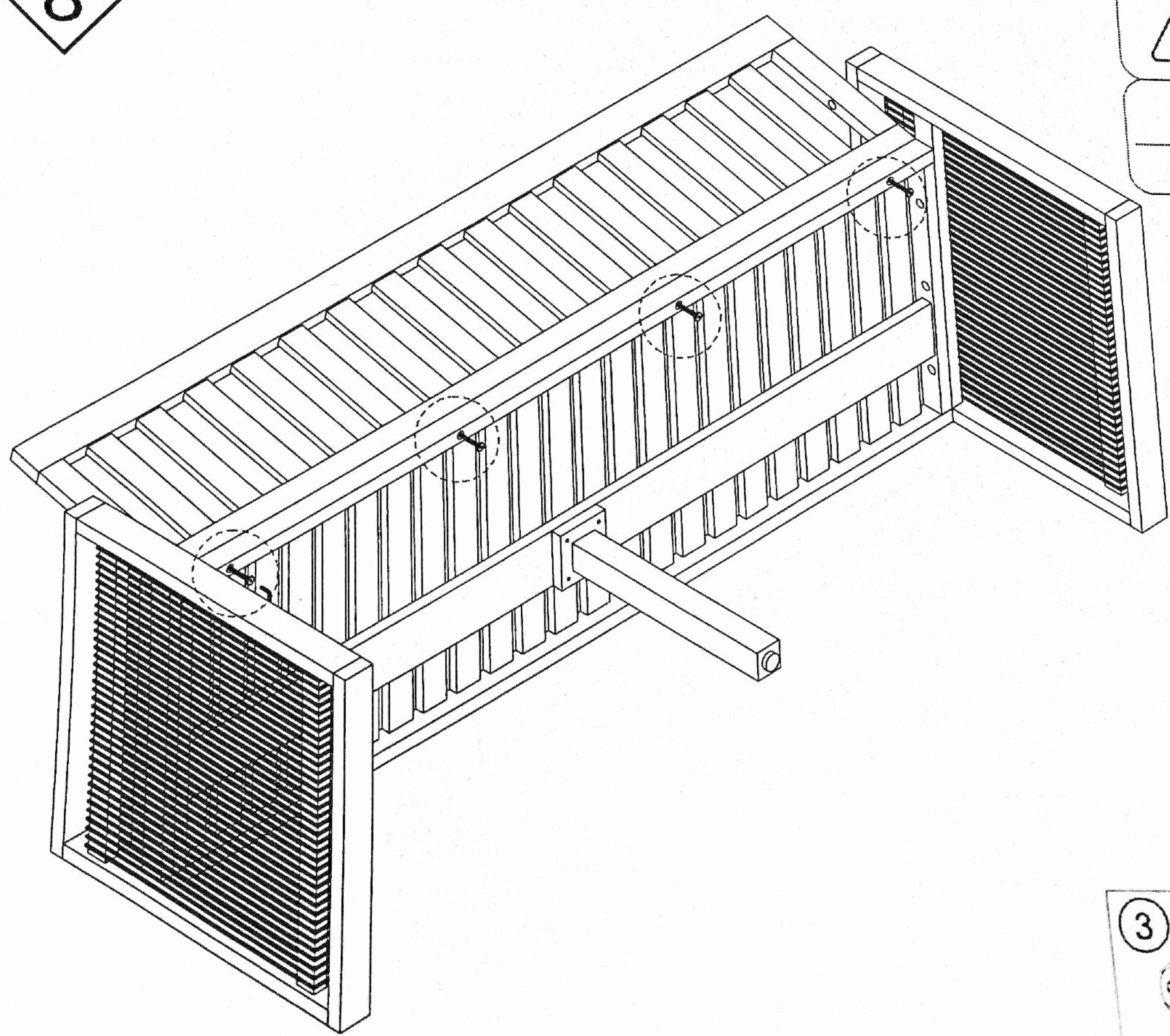
7



! 100%

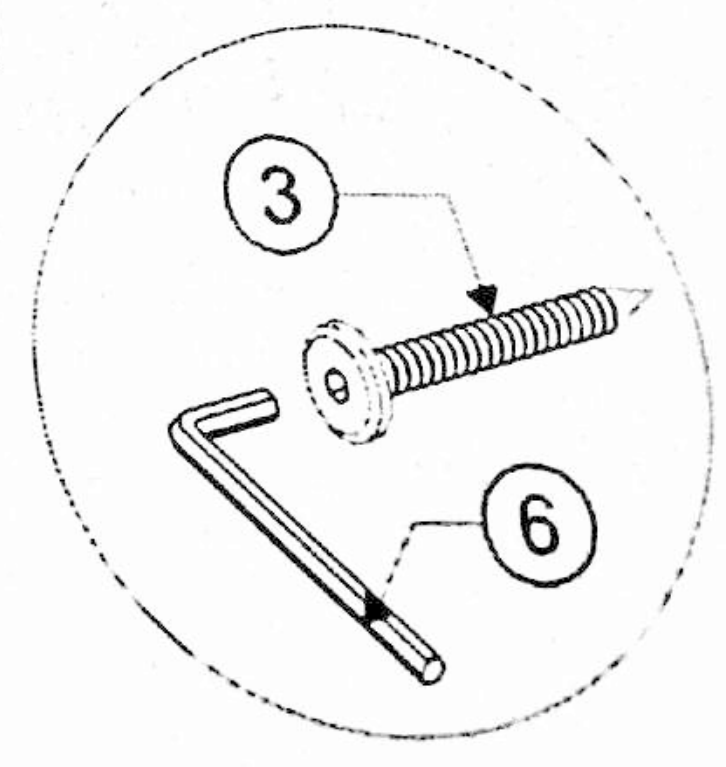
100%

8



! 100%

100%

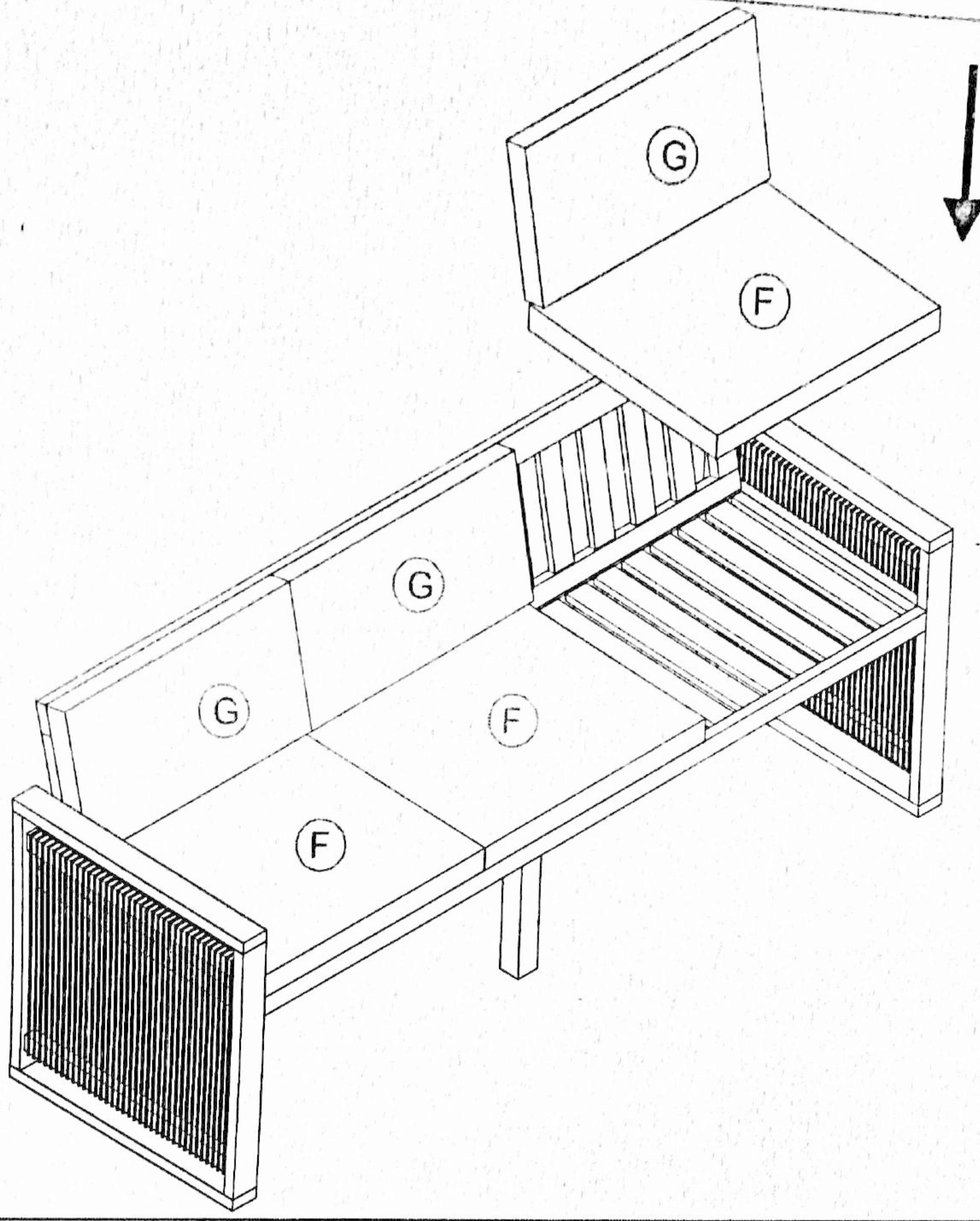


3 x 4

6 x 1

M7x60

9



10

